

Specifications:

Material And Finish:

Insulator:LCP UL94V-0 Color:Black
 Contact:Brass
 Plated:See Ordering Information

Rating:

Current Rating:5.0 Amp
 Voltage Rating:250V AC/DC
 Operating Temperature Range:-25~+85°C

Electrical:

Contact resistance:20m Ohm Max
 Insulator resistance:1000M ohm min.
 Withstanding Voltage:1000V AC/Minute

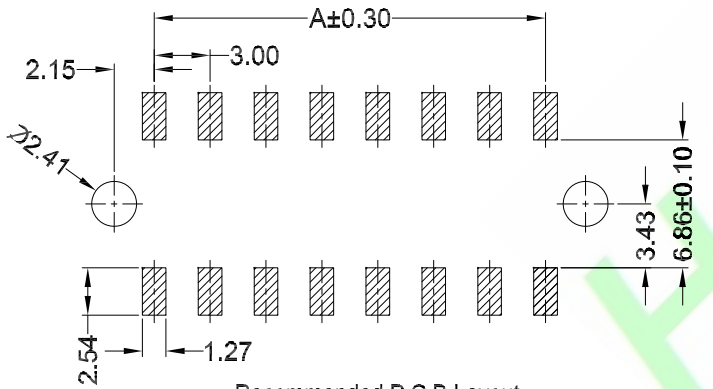
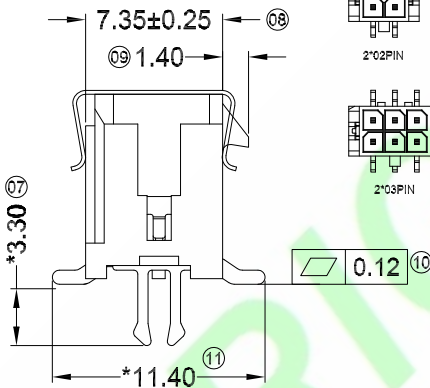
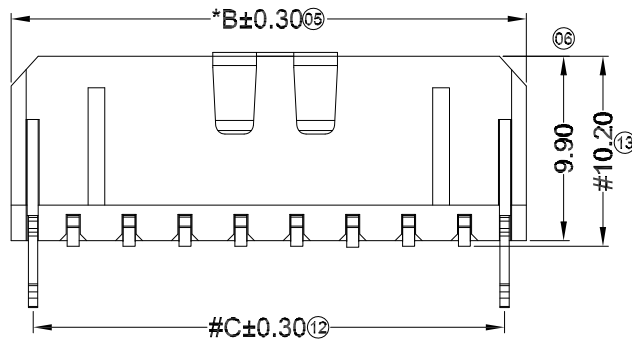
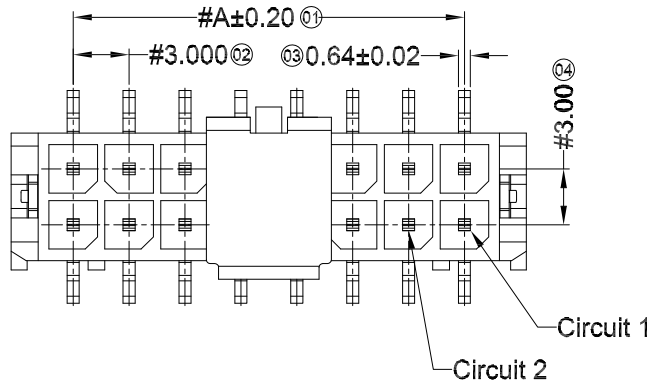
Ordering Information

A30312M-XXX-03-X

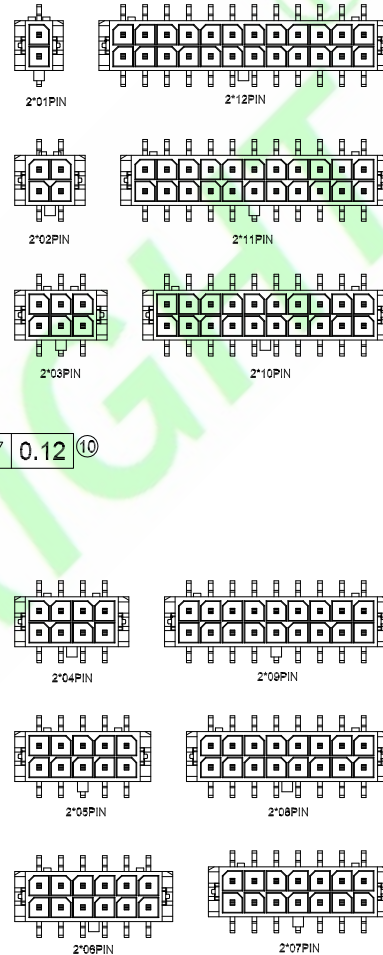
1 2 3 4 5

- 1: — Series No.
- 2: — M:SMT Type
- 3: — No. of Positions(02-24PIN)
- 4: — M:Matte Tin Plated
- 5: — F/W/Cap In Tape&Reel

Poles	Dimensions(mm)		
	A	B	C
2*01		6.65	4.30
2*02	3.00	9.65	7.30
2*03	6.00	12.65	10.30
2*04	9.00	15.65	13.30
2*05	12.00	18.65	16.30
2*06	15.00	21.65	19.30
2*07	18.00	24.65	22.30
2*08	21.00	27.65	25.30
2*09	24.00	30.65	28.30
2*10	27.00	33.65	31.30
2*11	30.00	36.65	34.30
2*12	33.00	39.65	37.30



Recommended P.C.B Layout
 General Tolerance±0.05



5X			
4X			
3X			
2X			
1X	ORIGINAL	Sophia	
REV.	DESCRIPTION	DR.BY	ECN. NO.

DR.BY.: Sophia	GENERAL TOLERANCE:	
CHKD.: Tony	LINEAR	ANGLES
APPD.: Billy	X.: ±	X': ±1.0°
	X.X: ±0.30	X.XX: ±0.20
	X.XXX: ±0.10	X.XXX': ±0.10

PART NO : A30312M-XXX-03-X
DWG. NO.:
TITLE : 3.00mm Pitch Straight SMT Type Power Connector
DATE: 28-Apr-2020

HJBRIGHT 東莞市華晶電子有限公司
 BRIGHT-E ELECTRONIC TECHNOLOGY LIMITED

SHEET: 1/1
 SCALE: 1:1
 UNIT: mm

THIRD ANGLE PROJECTION

A4