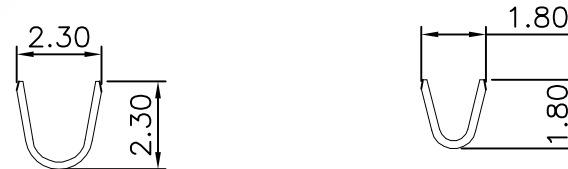
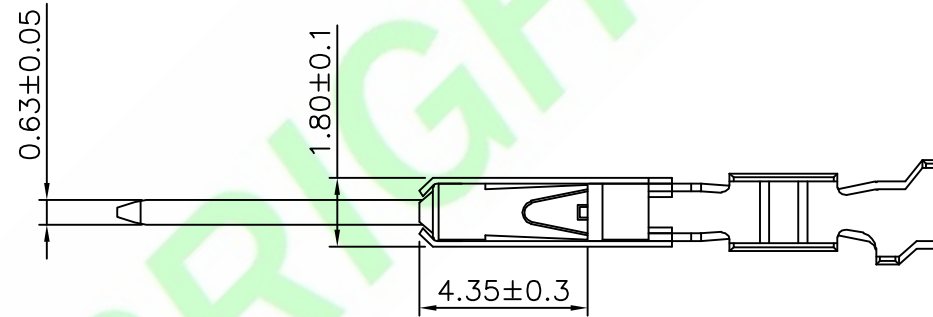
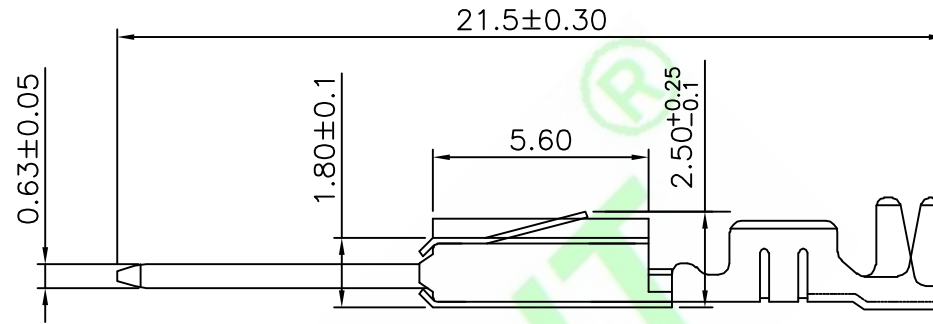


Specifications:  
 Material And Finish:  
 Material : Copper alloy  
 Wire Rang: 0.35mm<sup>2</sup>(AWG#22)



Ordering Information  
 H25083TL-PQ

1 2 3

- 1: — Series No.
- 2: — Terminal
- 3: — Q: Tin Plated

5X				DR.BY.: Sophia	GENERAL TOLERANCE:		PART NO :H25083TL-PQ	
4X					LINEAR	ANGLES	DWG. NO.:	
3X				CHKD.: Ren	X.: ±0.30	X°:	TITLE :	
2X					X.X: ±0.20	X.X°:	H25083 Series of terminals	
1X	ORIGINAL	Sophia		APPD.:	X.XXX: ±0.10	X.XXX°:	DATE: 20-Aug-2020	
REV.	DESCRIPTION	DR.BY	ECN. NO.	Billy			UNIT: mm	

**HJBRIGHT**® 東莞市華晶電子有限公司  
 BRIGHT-E ELECTRONIC TECHNOLOGY LIMITED

SHEET: 1/1  
 SCALE: 1:1  
 UNIT: mm

THIRD ANGLE PROJECTION

A4