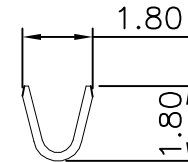
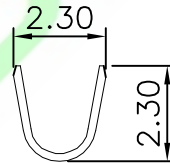
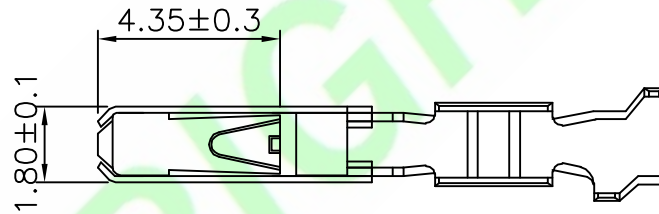
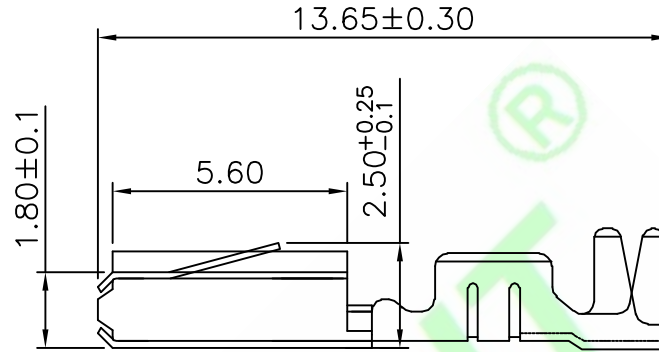


Specifications:
 Material And Finish:
 Material : Copper alloy
 Wire Rang: 0.35mm²(AWG#22)



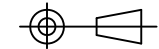
Ordering Information
H25082TL-PQ
 1 2 3

- 1: — Series No.
- 2: — Terminal
- 3: — Q: Tin Plated

| | | | | | | | |
|------|-------------|--------|----------------|--------------------|---------|----------------------------|--|
| 5X | | | DR.BY.: Sophia | GENERAL TOLERANCE: | | PART NO :H25082TL-PQ | |
| 4X | | | | LINEAR | ANGLES | DWG. NO.: | |
| 3X | | | CHKD.: Ren | X.: ±0.30 | X°: | TITLE : | |
| 2X | ORIGINAL | Sophia | APPD.: Billy | X.X: ±0.20 | X.X°: | H25082 Series of terminals | |
| 1X | | | | X.XXX: ±0.10 | X.XXX°: | DATE: 20-Aug-2020 | |
| REV. | DESCRIPTION | DR.BY | ECN. NO. | | | UNIT: mm | |

HJBRIGHT® 東莞市華晶電子有限公司
 BRIGHT-E ELECTRONIC TECHNOLOGY LIMITED

SHEET: 1/1
 SCALE: 1:1
 UNIT: mm



THIRD ANGLE PROJECTION

A4