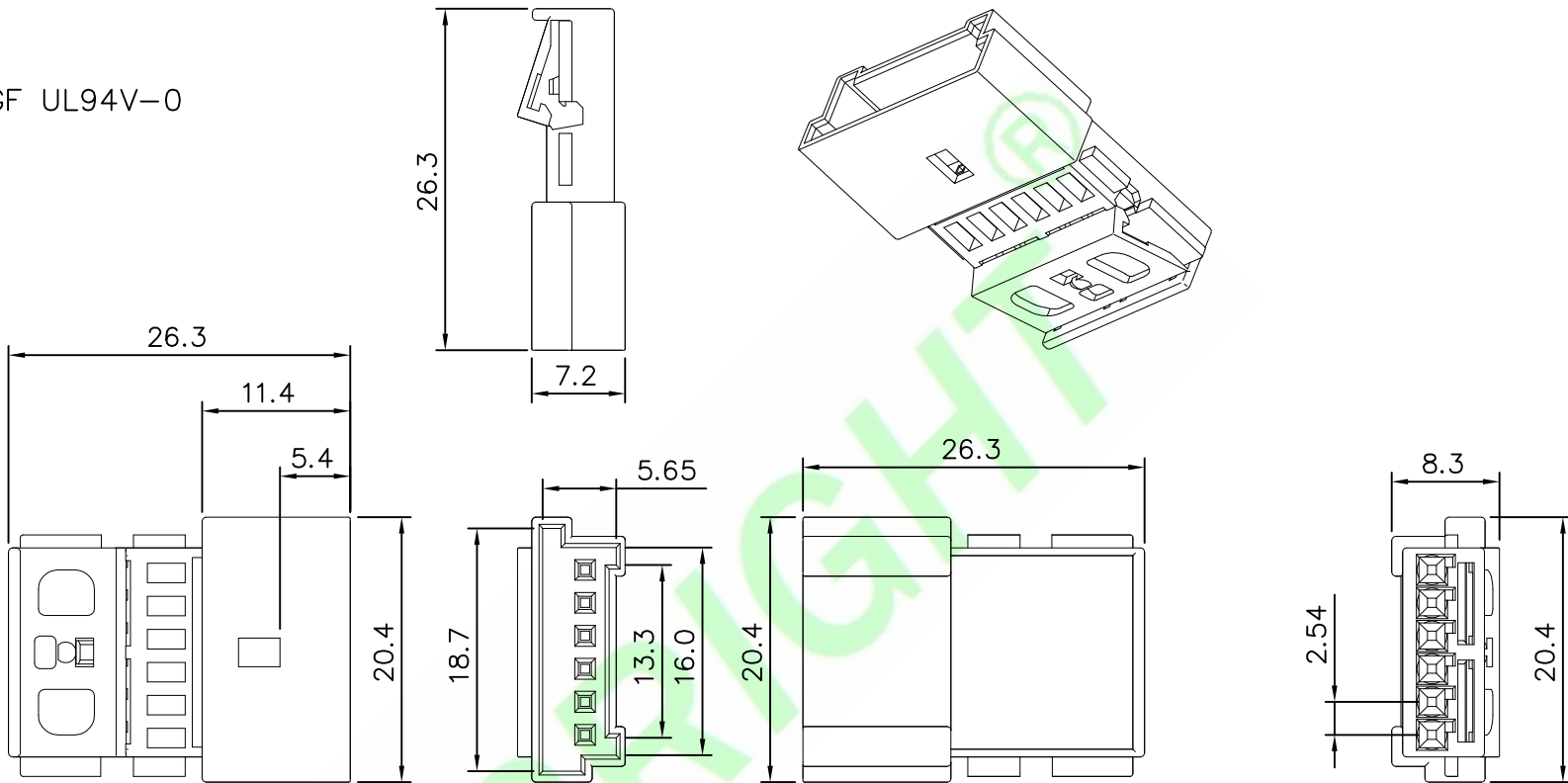


Material:

Insulator: PBT+15GF UL94V-0

Color: Black



Ordering Information

H25414-06-B

1 2 3

- 1: — Series No.
- 2: — No. of Positions
- 3: — B:Black

未注公差

基本尺寸 (mm)	公差数值 (mm)	基本尺寸 (mm)	公差数值 (mm)
0~3	0.16	24~30	0.32
3~6	0.18	30~40	0.36
6~10	0.20	40~50	0.40
10~14	0.22	50~65	0.46
14~18	0.24	65~80	0.52
18~24	0.28	>80	0.60

5X				DR.BY.: Sophia	GENERAL TOLERANCE:		PART NO : H25414-06-B		HJBRIGHT ® 东莞市華晶電子有限公司 BRIGHT-E ELECTRONIC TECHNOLOGY LIMITED	
4X					LINEAR	ANGLES	DWG. NO.:			
3X				CHKD.: Ren	X.: ±	X': ±	TITLE :		SHEET: 1/1	THIRD ANGLE PROJECTION
2X					X.X: ±0.30	X.X': ±	2.54mm Pitch 06P Male Housing		SCALE: 1:1	
1X	ORIGINAL	Sophia		APPD.: Billy	X.XX: ±0.20	X.XX': ±	DATE: 19-Aug-2020		UNIT: mm	
REV.	DESCRIPTION	DR.BY	ECN. NO.		X.XXX: ±0.10	X.XXX': ±				