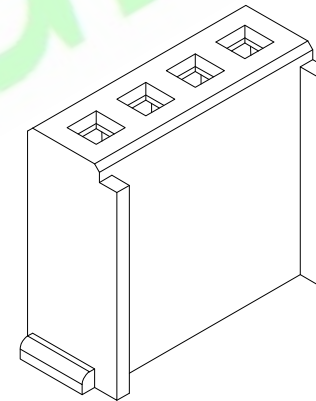
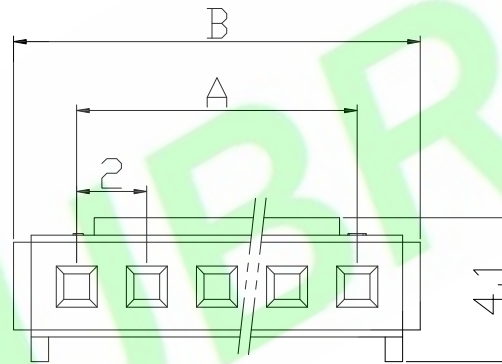
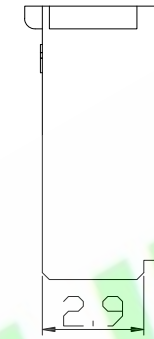
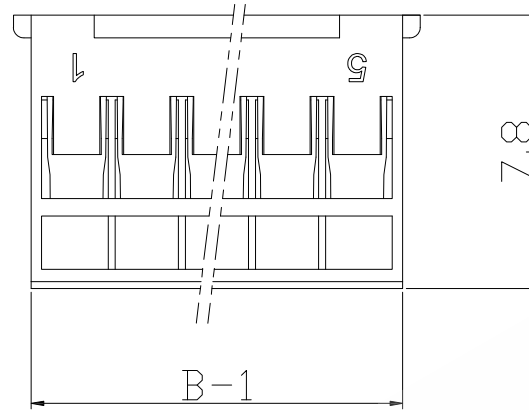


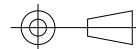
Ordering Information
A2005H-XXP-01

1 2

- 1: — Series No.
- 2: — No. of Positions



Circuits	Dimensions	
	A	B
02	2.0	5.6
03	4.0	7.6
04	6.0	9.6
05	8.0	11.6
06	10.0	13.6
07	12.0	15.6
08	14.0	17.6
09	16.0	19.6
10	18.0	21.6
11	20.0	23.6
12	22.0	25.6
13	24.0	27.6
14	26.0	29.6
15	28.0	31.6
16	30.0	33.6

5X				DR.BY.: Mark	GENERAL TOLERANCE:		PART NO : A2005H-XXP-01		HJBRIGHT® 東莞市華晶電子有限公司 BRIGHT-E ELECTRONIC TECHNOLOGY LIMITED	
4X				CHKD.: Ren	LINEAR	ANGLES	DWG. NO.:			
3X				APPD.: Billy	X.: ±0.30	X': ±5.0°	TITLE : 2.00mm Pitch Hosing		SHEET: 1/1	 THIRD ANGLE PROJECTION
2X	ORIGINAL	Mark			X.X: ±0.25	X.X': ±3.0°	DATE: 30-Mar-2016		SCALE: 1:1	
1X	DESCRIPTION	DR.BY	ECN. NO.		X.XX: ±0.15	X.XX': ±2.0°			UNIT: mm	
REV.					X.XXX: ±0.10	X.XXX': ±1.0°				A4