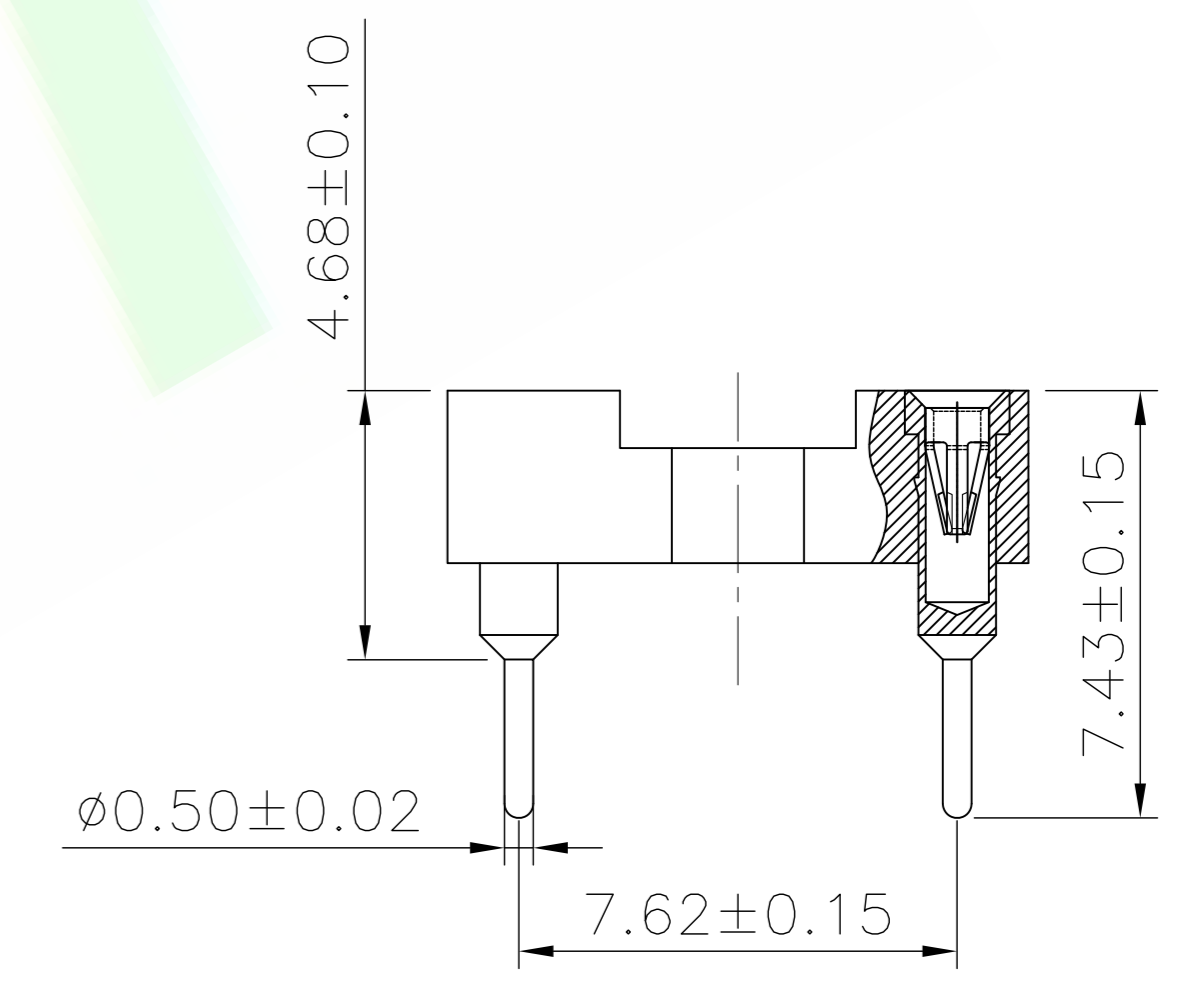
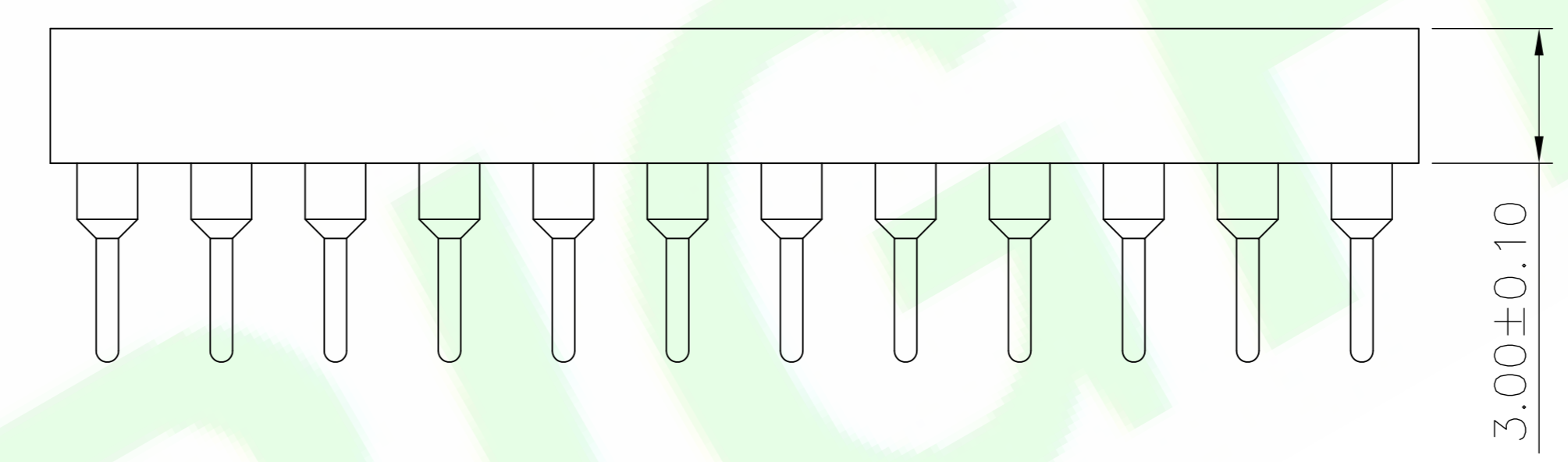
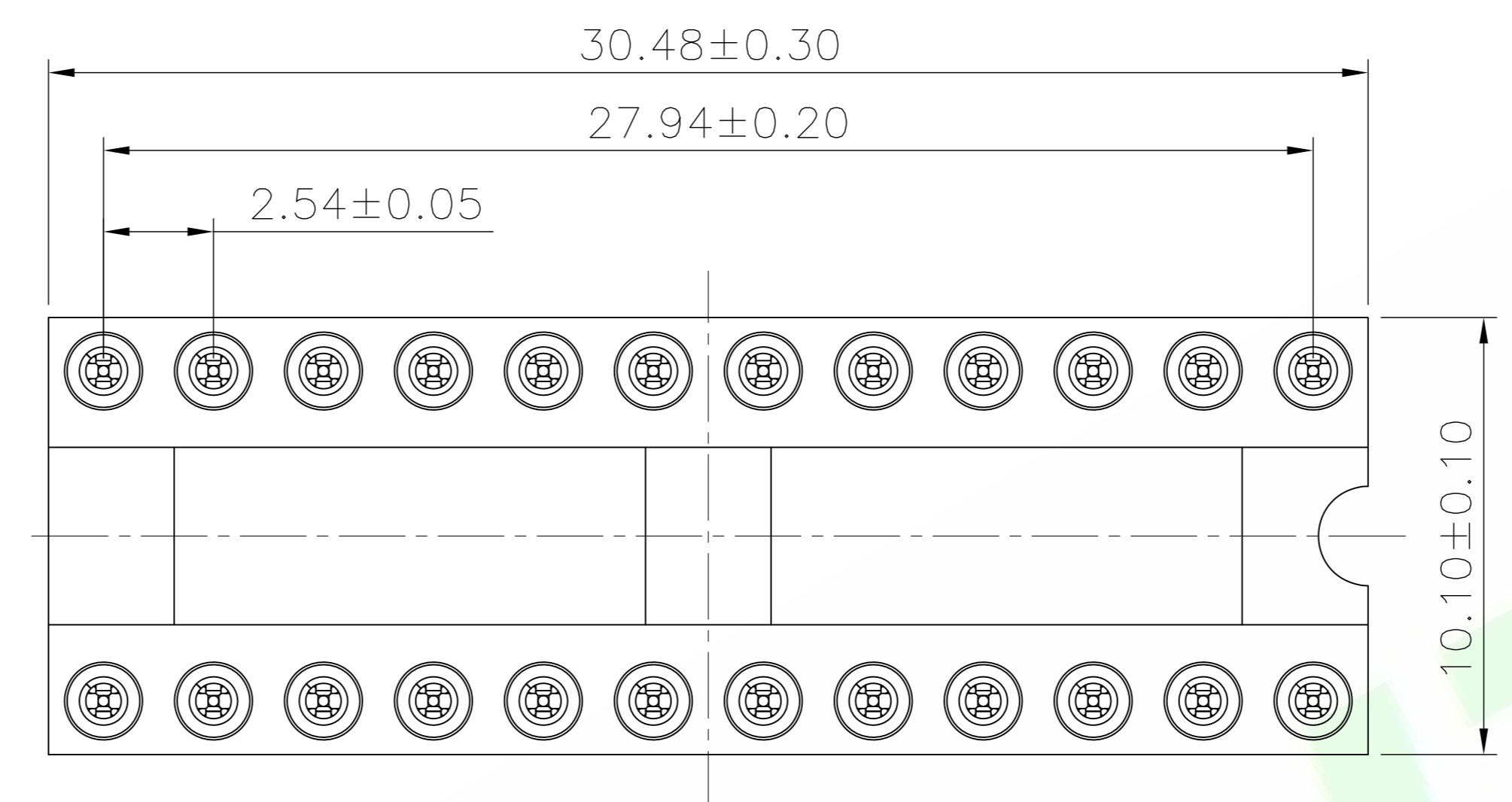


Technical Data

Pin(outer sleeve):Brass,machined CuZn38Pb2
 Cllp(Contact 4 Flnger):Beryllium copper,heat teated
 Insulator:PPS UL94V-0 colour:black
 Current rating:3Amps
 Mating pin \varnothing :0.38/0.56mm
 Forces:(polished steel gauge \varnothing 0.43mm)
 -Insertion:2N typ
 -Withdrawal:1N typ
 Mechanical life:min 500cycles
 Contact resistance:max 10m Ω
 Dielectric strength:min 1000V RMS
 Operaling temperature:-40 $^{\circ}$ C to+105 $^{\circ}$ C
 Soldering temperature:+255 $^{\circ}$ C

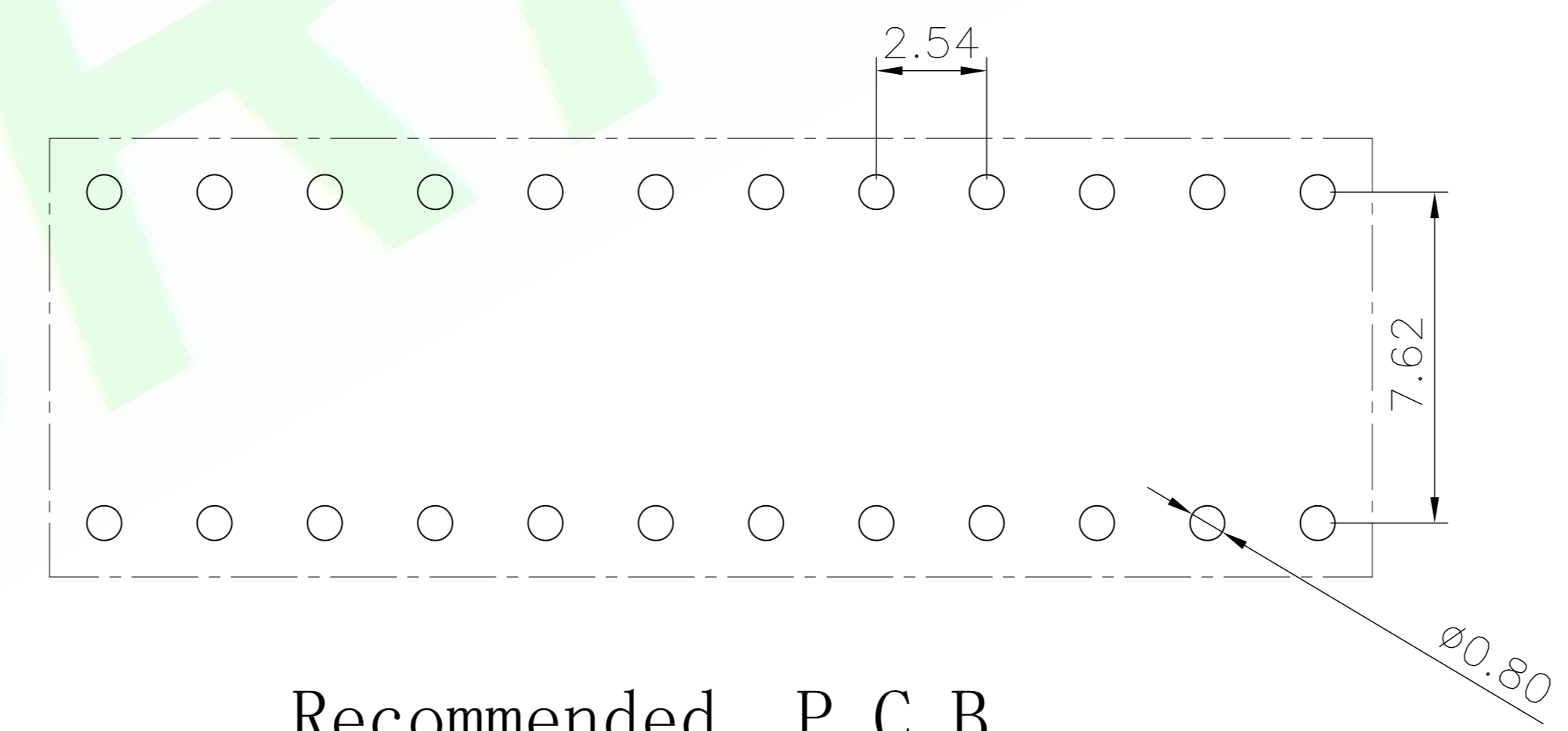


Ordering Information

D25412S-XXX-X

1 2 3 4 5

- 1: — Series No.
- 2: — S: Straight Type
- 3: — No. of Positions
- 4: — A: Gold Flash
M: Matte Tin Plated
Q: Tin Plated
- 5: — A: In Bag
B: In Tube



Recommended P.C.B
Layout (± 0.05)

5X			DR.BY.: Tsw	GENERAL TOLERANCE:		PART NO : D25412S-XXX-X	HJBRIGHT 東莞市華晶電子有限公司 BRIGHT-E ELECTRONIC TECHNOLOGY LIMITED	
4X			CHKD.: Mark	LINEAR	ANGLES	DWG. NO.:		
3X			APPD.: Billy	X.: \pm	X': $\pm 5.0^{\circ}$	TITLE : Pitch 2.54mm Adapter Connector	SHEET: 1/1	
2X				X.X: ± 0.30	X.X': $\pm 3.0^{\circ}$	Pin Length:7.430mm	SCALE: 1:1	
1X	ORIGINAL	Tsw		X.XX: ± 0.20	X.XX': $\pm 2.0^{\circ}$	Plastic height:3.00mm	UNIT: mm	
REV.	DESCRIPTION	DR.BY	ECN. NO.	X.XXX: ± 0.10	X.XXX': $\pm 1.0^{\circ}$	DATE: 25-Jun-2021	THIRD ANGLE PROJECTION	