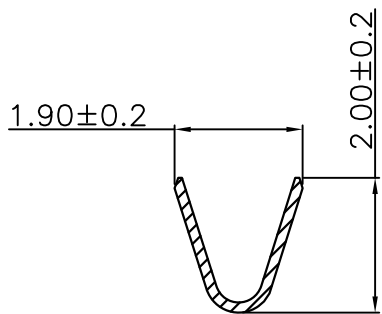
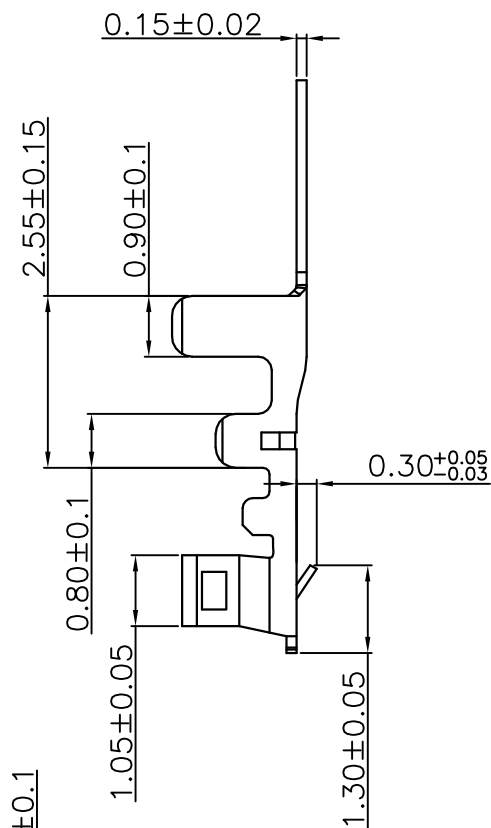
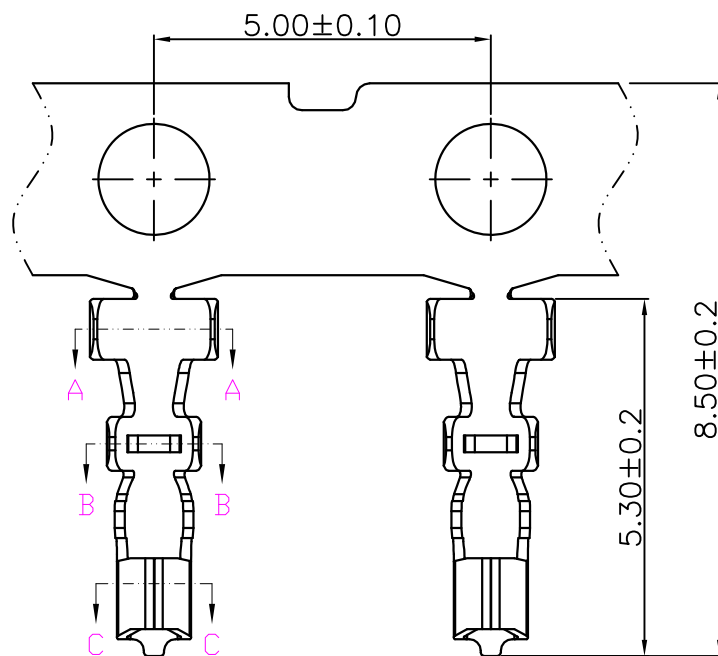


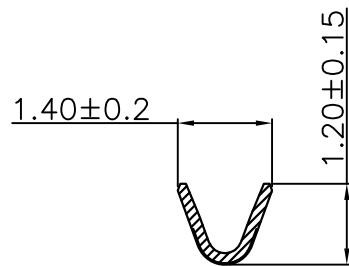
Specifications:  
 Material:phosphor bronze  
 Wire Range:AWG#24~28  
 Insulation O.D.:1.1(max)

Ordering Information  
**A1502T-PQ-02**  
 1 2 3

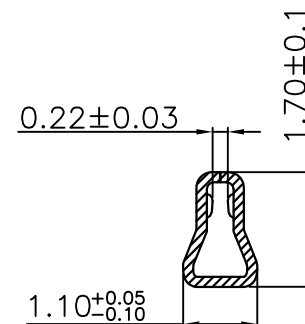
1: — Series No.  
 2: — T:Terminal  
 3: — Q:Plated Tin



A-A



B-B



C-C

5X				DR.BY.:	Mark
4X				CHKD.:	Aaron
3X				APPD.:	Billy
2X	ORIGINAL	Mark			
1X					
REV.	DESCRIPTION	DR.BY.	ECN. NO.		

GENERAL TOLERANCE:	
LINEAR	ANGLES
X.: ±0.25	X': ±5.0°
X.X: ±0.13	X.X': ±3.0°
X.XX: ±0.05	X.XX': ±2.0°
X.XXX: ±0.05	X.XXX': ±1.0°

PART NO. : A1502T-PQ-02
DWG. NO.:
TITLE : 1.5mm Pitch Crimp Style Terminal
DATE: 16-Jul-2016

**HJBRIGHT**® 東莞市華晶電子有限公司  
 BRIGHT-E ELECTRONIC TECHNOLOGY LIMITED

SHEET: 1/1  
 SCALE: 1:1  
 UNIT: mm

THIRD ANGLE PROJECTION

**A4**