

RoHS Compliant



Specifications:

Material And Finish:
 Insulator:PA6T UL94V-0 Color:Black
 Contact:Phosphorus copper
 Plated:See Ordering Information

Rating:

Current Rating:3.0 Amp
 Voltage Rating:250V AC/DC
 Operating Temperature Range:-40°~+105°C

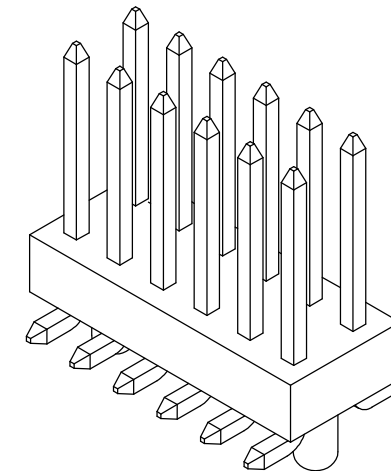
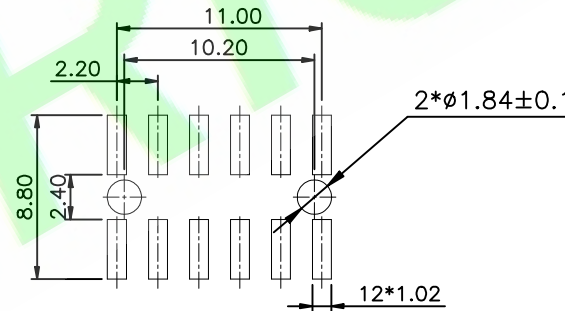
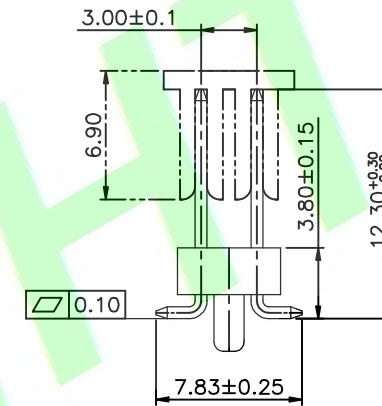
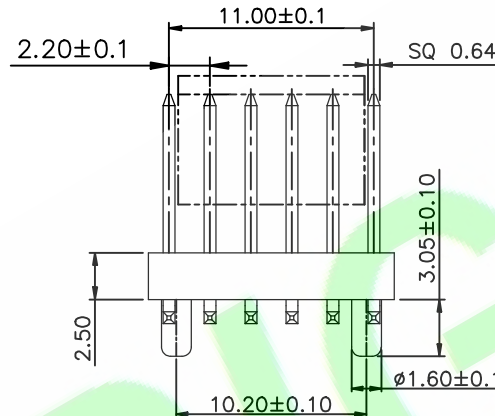
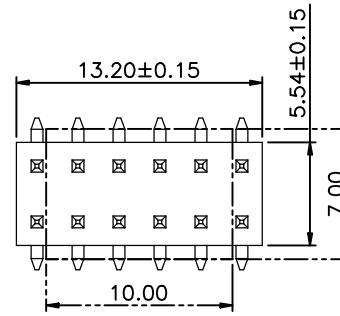
Electrical:

Contact resistance:20m Ohm Max
 Insulator resistance:1000M ohm min.
 Withstanding Voltage:1000V AC/Minute

Ordering Information

22012M-12S141-1F
 1 2 3 4 5

- 1: — Series No.
- 2: — S: Straight Type
- 3: — No. of Positions
- 4: — S: Sn 160~240U" Over Ni 30~80
- 5: — A: In bag
 B: In Tube
 C: In Tray
 G: W/O Cap in Tape&Reel
 F: W/1 Cap in Tape&Reel



Recommended PCB Layout
 (Tolerance:0.05mm)

2X	Newly increased Cap	Judyyan	20220519
1X	ORIGINAL	Sophia	
REV.	DESCRIPTION	DR.BY	ECN. NO.

DR.BY.: Sophia	GENERAL TOLERANCE:		PART NO : 22012M-12S141-1F
CHKD.: Tony	LINEAR	ANGLES	DWG. NO.:
	x.: ±0.30	x': ±5.0°	TITLE :
	x.x: ±0.20	x.x': ±3.0°	2.2X3.0mm Pitch Pin Header
	x.xx: ±0.15	x.xxx': ±2.0°	DATE: 28-Feb-2022
APPD.: Billy	x.xxx: ±0.10	x.xxxx': ±1.0°	

HJBRIGHT 東莞市華晶電子有限公司 BRIGHT-E ELECTRONIC TECHNOLOGY LIMITED	
SHEET: 1/1	THIRD ANGLE PROJECTION
SCALE: 1:1	
UNIT: mm	
A4	