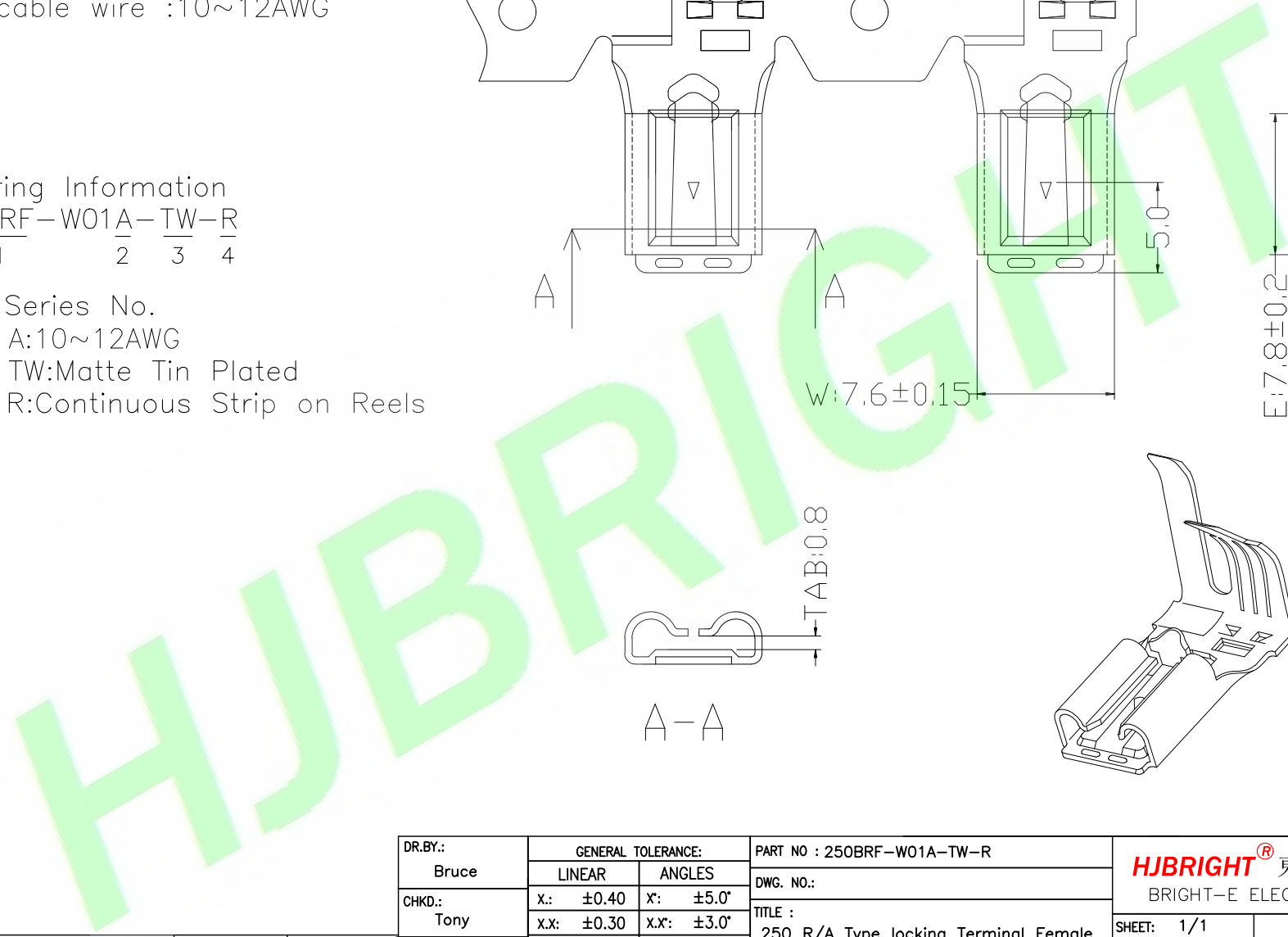
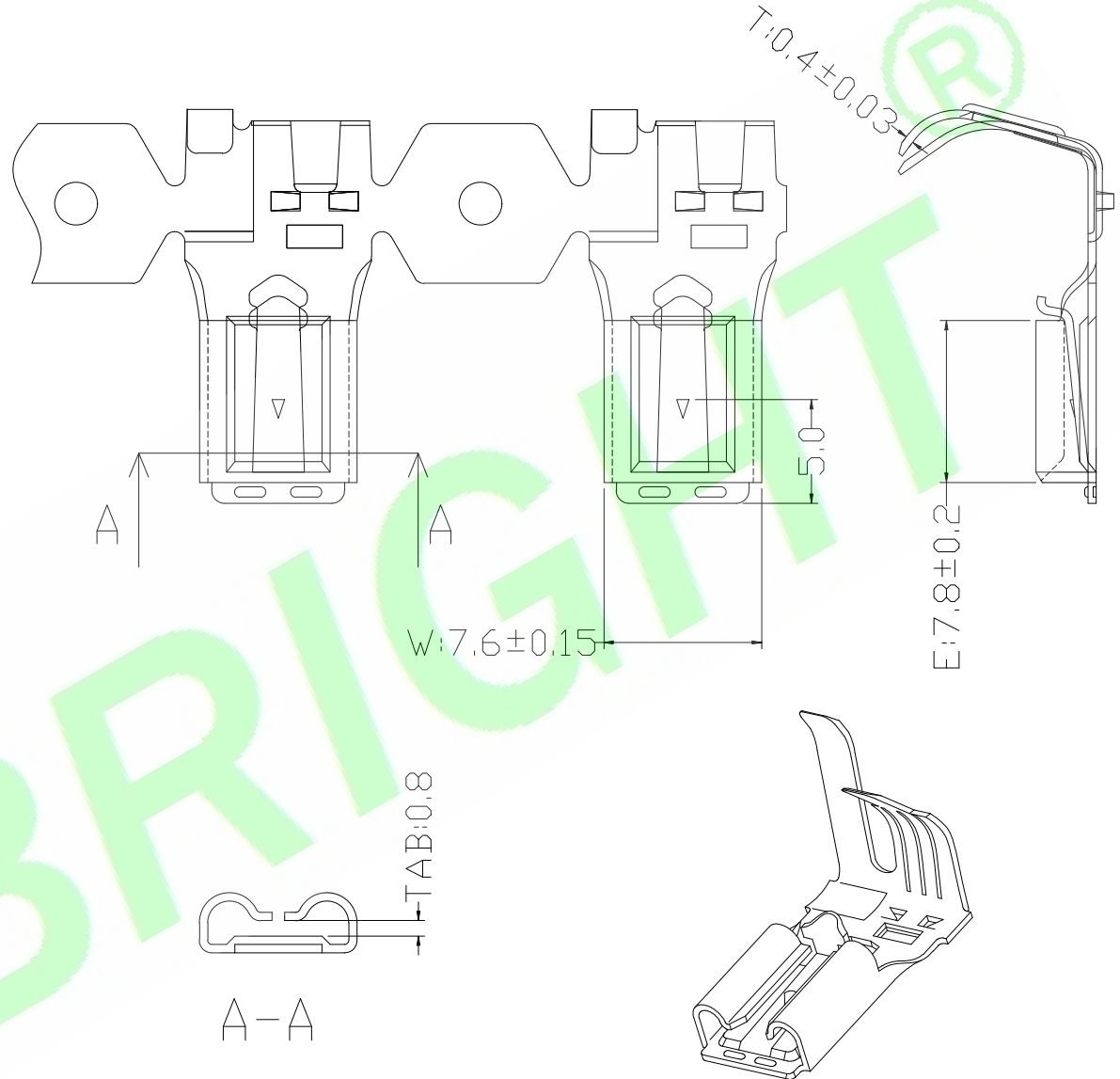


Specifications:
 Material And Finish:
 Contact: Brass T=0.40mm
 Plated: Matte Tin Plated
 Applicable wire : 10~12AWG

Ordering Information
 250BRF-W01A-TW-R
 1 2 3 4

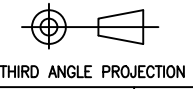
- 1: — Series No.
- 2: — A: 10~12AWG
- 3: — TW: Matte Tin Plated
- 4: — R: Continuous Strip on Reels



DR.BY.: Bruce	GENERAL TOLERANCE:		PART NO : 250BRF-W01A-TW-R
	LINEAR	ANGLES	
CHKD.: Tony	x.: ±0.40	x': ±5.0°	TITLE : 250 R/A Type locking Terminal Female
	x.x: ±0.30	x.x': ±3.0°	
APPD.: Billy	x.xx: ±0.25	x.xx': ±2.0°	DATE: 3-Mar-2020
	x.xxx: ±0.10	x.xxx': ±1.0°	

HJBRIGHT 東莞市華晶電子有限公司
 BRIGHT-E ELECTRONIC TECHNOLOGY LIMITED

SHEET: 1/1
 SCALE: 1:1
 UNIT: mm



A4

1X	ORIGINAL	Bruce	
REV	DESCRIPTION	DR.BY	ECN. NO.