

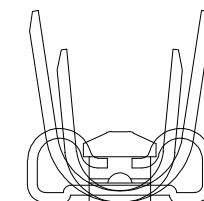
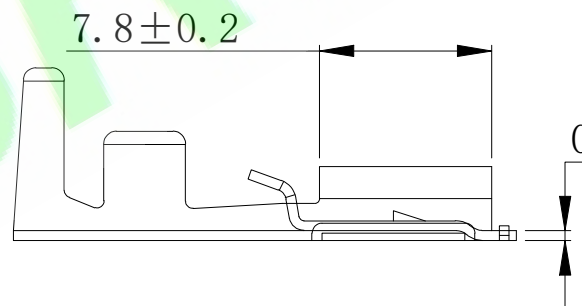
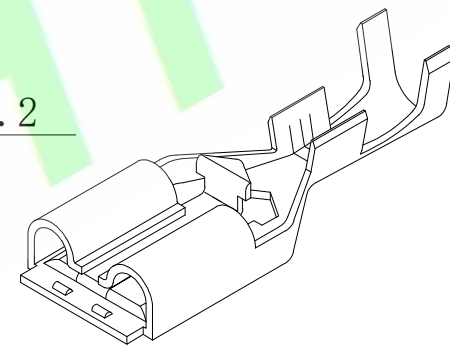
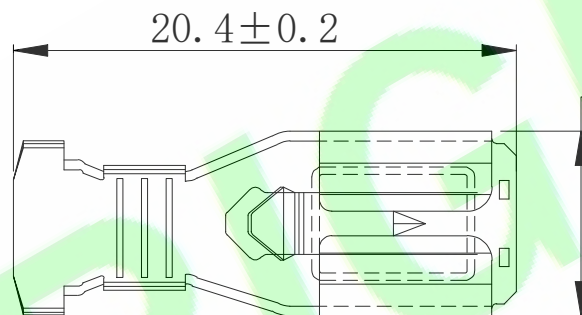
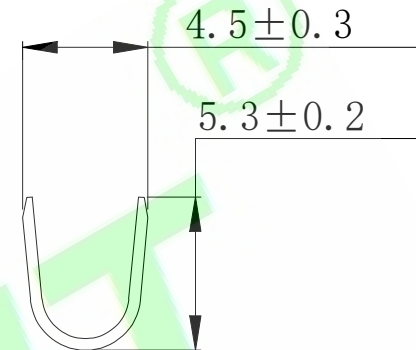
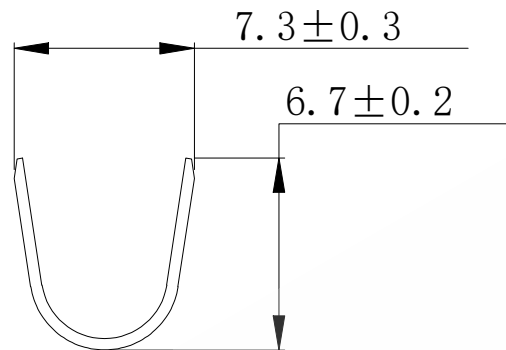
Specifications:

Material And Finish:
 Contact: Brass T=0.40mm
 Plated: Matte Tin Plated

Applicable wire : 16+16~12AWG

Ordering Information
 250BSF-W01A-TW-R

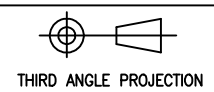
- 1: — Series No.
- 2: — A: 16+16~12AWG
- 3: — TW: Matte Tin Plated
- 3: — R: Continuous Strip on Reels



DR.BY.: Bruce	GENERAL TOLERANCE:		PART NO : 250BSF-W01A-TW-R	
CHKD.: Tony	LINEAR	ANGLES	DWG. NO.:	
APPD.: Billy	x.: ±0.40	x': ±5.0°	TITLE :	
	x.x: ±0.30	x.x': ±3.0°	250 Straight locking Terminal	
	x.xx: ±0.25	x.xxx: ±2.0°	DATE: 3-Mar-2020	
	x.xxx: ±0.10	x.xxxx: ±1.0°		

HJBRIGHT® 東莞市華晶電子有限公司
 BRIGHT-E ELECTRONIC TECHNOLOGY LIMITED

SHEET: 1/1
 SCALE: 1:1
 UNIT: mm



A4

1X	ORIGINAL	Bruce	
REV	DESCRIPTION	DR.BY	ECN. NO.