

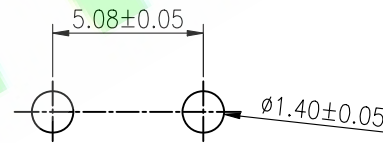
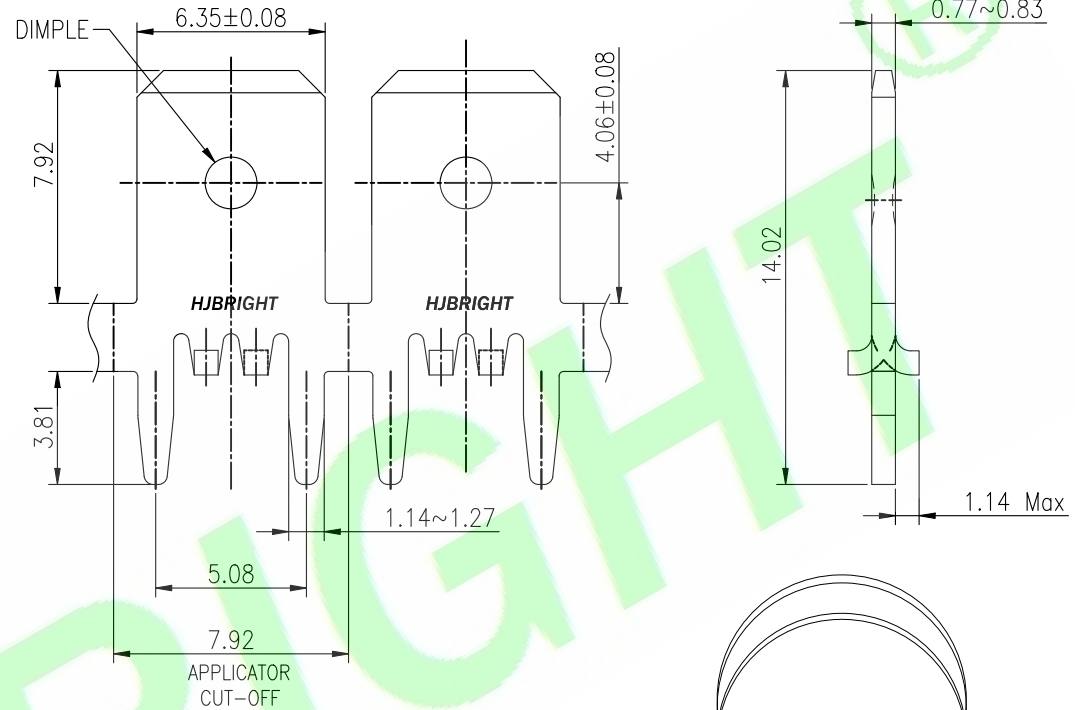
Material And Finish:

1. Brass, Special Hard
2. Plated: Matte Tin Plated
(Tin Plate 150u" Min Thk Copper Or Tin Plate 150u" Min Over 50u" Min The Nickel)
3. Continuous Strip On Reels

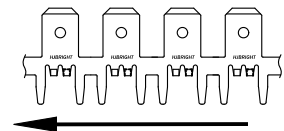
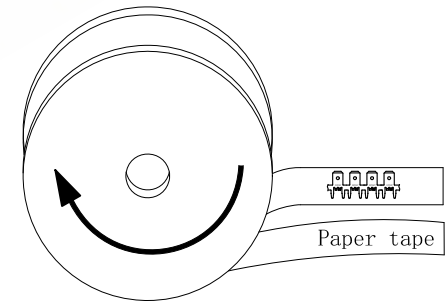
Ordering Information

250BSM-03-TW-R
 1 2 3

- 1: — Series No.
- 2: — S:Matte Tin Plated
- 3: — A:In Bag
 R:CONTINUOUS STRIP ON REELS

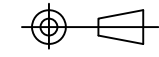


P.C. BOARD HOLE PATTERN



Electroplating receiving direction

2X	Update code option	Judyyan	20260226	DR.BY.: Aren	GENERAL TOLERANCE:		PART NO : 250BSM-03-TW-R	HJBRIGHT® 东莞市華晶電子有限公司 BRIGHT-E ELECTRONIC TECHNOLOGY LIMITED
				CHKD.: Aren	LINEAR	ANGLES		
1X	ORIGINAL	Judyyan		APPD.: Billy	x.: ±0.40	x': ±5.0°	TITLE : TAB, FASTON, P.C.BOARD 6.35 [.250]	SHEET: 1/1
REV.	DESCRIPTION	DR.BY	ECN. NO.		x.x: ±0.30	x.x': ±3.0°	DATE: 02-Sep-2022	SCALE: 1:1
					x.xxx: ±0.10	x.xxx': ±1.0°		UNIT: mm



THIRD ANGLE PROJECTION

A4