

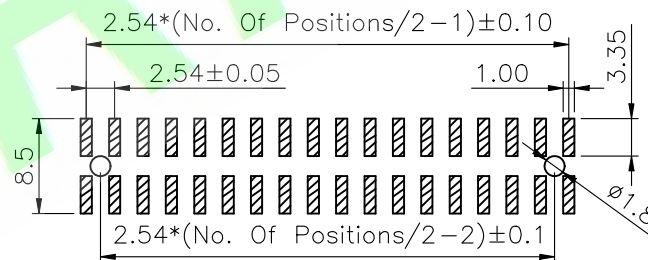
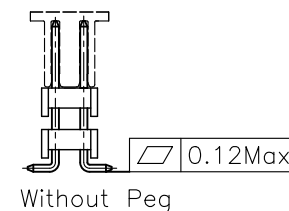
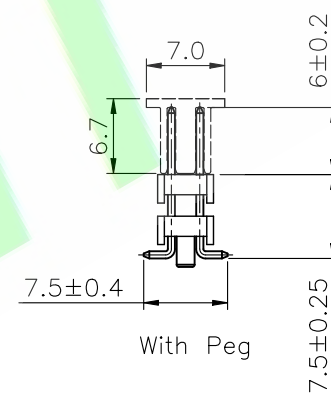
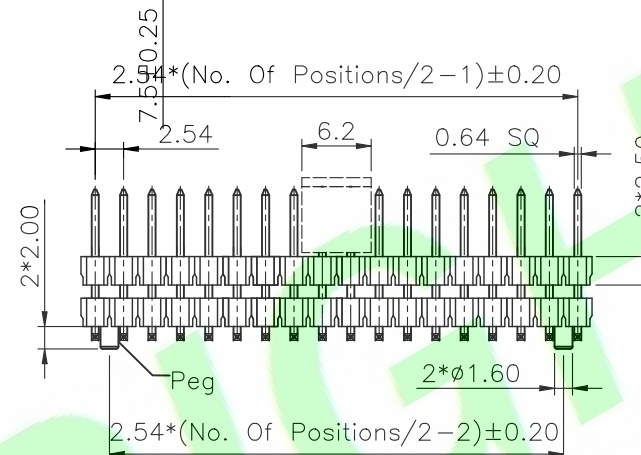
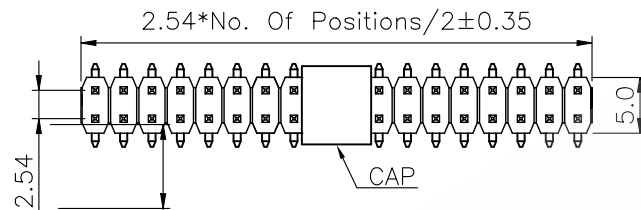
Specifications:
 Material And Finish:
 Insulator:PA6T UL94V-0 Color:Black
 Contact:Brass
 Plated:See Ordering Information

Rating:
 Current Rating:3.0 Amp
 Voltage Rating:250V AC/DC
 Operating Temperature Range:-40~+105°C

Electrical:
 Contact resistance:20m Ohm Max
 Insulator resistance:1000M ohm min.
 Withstanding Voltage:500V AC/Minute

Ordering Information
 254122M-XXX153-NXX
 1 2 3 4 5 6

- 1: Series No.
- 2: M:SMT Type
- 3: No. of Positions
- 4: A:Gold Flash
Q:Tin Plated
S:Matte Tin Plated.
- D:10u"Gold on Contact;Gold Flash on tail
H:Gold Flash on Contact;Matte Tin on tail
T:10u"Gold on Contact;Matte Tin on tail
Y:30u"Gold on Contact;Matte Tin on tail
- 5: 0:Without Peg
1:With Peg
- 6: F:W/Cap In Tape&Reel

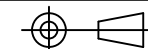


Recommended PCB Layout

DR.BY.: Judyyan	GENERAL TOLERANCE:		PART NO : 254122M-XXX153-NXX	
CHKD.: Tony	LINEAR	ANGLES	DWG. NO.:	
APPD.: Billy	x.: ±0.30	x': ±5.0°	TITLE :	
	x.x: ±0.20	x.x': ±3.0°	2.54mm Pitch Pin Header SMT Type	
	x.xx: ±0.15	x.xx': ±2.0°	DATE: 15-May-2026	
	x.xxx: ±0.10	x.xxx': ±1.0°		

HJBRIGHT 東莞市華晶電子有限公司
 BRIGHT-E ELECTRONIC TECHNOLOGY LIMITED

SHEET: 1/1
 SCALE: 1:1
 UNIT: mm



THIRD ANGLE PROJECTION

A4

1X	ORIGINAL	Judyyan	
REV.	DESCRIPTION	DR.BY	ECN. NO.