

RoHS Compliant



Specifications:

Material And Finish:

Insulator:Nylon 9T UL94V-0 Color:Black
 Contact:Brass
 Plated:See Ordering Information

Rating:

Current Rating:3.0 Amp
 Voltage Rating:250V AC/DC
 Operating Temperature
 Range:-40~+105°C

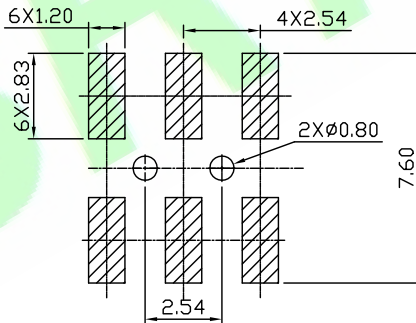
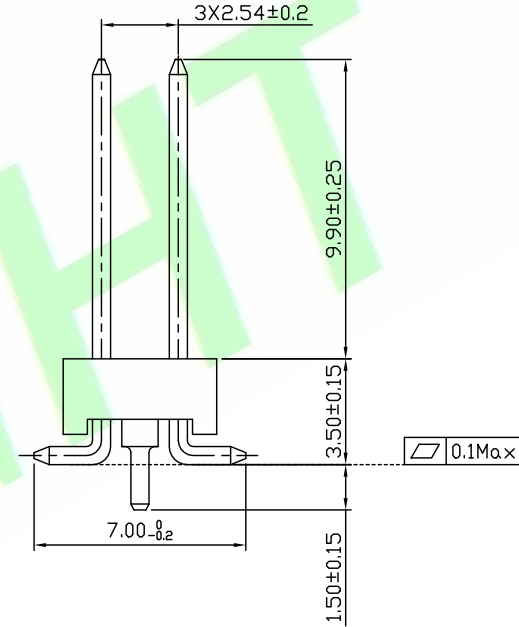
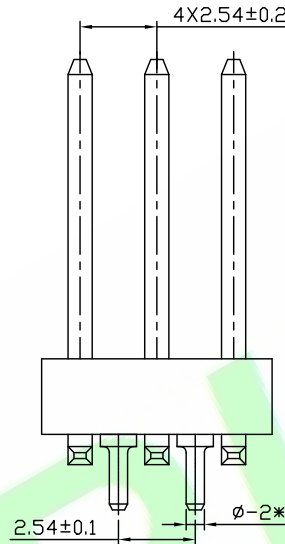
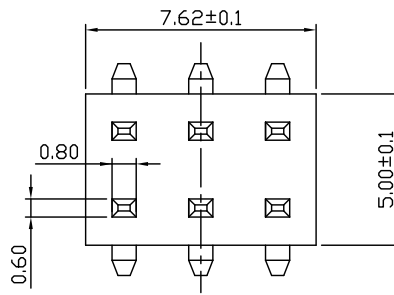
Electrical:

Contact resistance:20m Ohm Max
 Insulator resistance:1000M ohm min.
 Withstanding Voltage:500V AC/Minute

Ordering Information

25412MD-06S151-1X
 1 2 3 4 5

- 1: — Series No.
- 2: — M:SMT Type
- 3: — No. of Positions
- 4: — S:Matte Tin Plated
- 5: — A:In Bag
 B:In Tube
 C:In Tray
 G:Tape&Reel



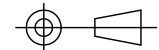
Recommended PCB LAYOUT (TOP VIEW)

Tolerance:±0.05mm

5X				DR.BY.:	GENERAL TOLERANCE:		PART NO : 25412MD-06S151-1X	
4X				Zolin	LINEAR	ANGLES	DWG. NO.:	
3X				CHKD.:	x.: ±0.40	x': ±5.0'	TITLE :	
2X				Hu.CH	x.xx: ±0.25	x.x': ±3.0'	6PIN Double Row 2.54 Pitch R/A Header	
1X	ORIGINAL	Zolin		APPD.:	x.xxx: ±0.15	x.xxx': ±2.0'	DATE: 11-Sep-2025	
REV	DESCRIPTION	DR.BY	ECN. NO.	Billy			UNIT: mm	

HJBRIGHT 東莞市華晶電子有限公司
 BRIGHT-E ELECTRONIC TECHNOLOGY LIMITED

SHEET: 1/1
 SCALE: 1:1
 UNIT: mm



THIRD ANGLE PROJECTION

A4