

RoHS Compliant

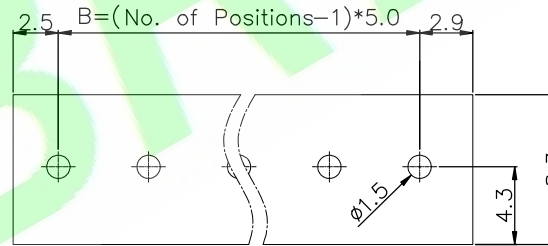
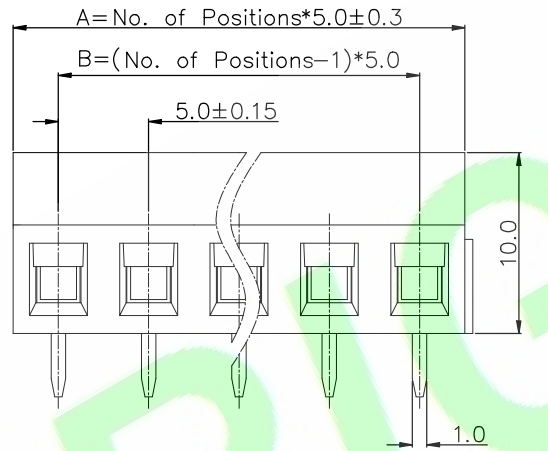
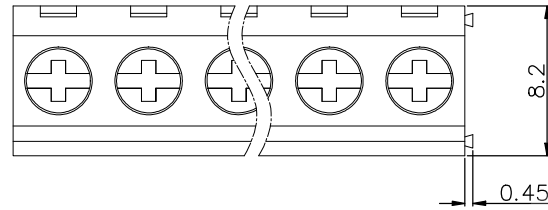
Specifications:
 Material And Finish:
 Insulator: Polyamide UL94V-0 Color: Green
 Contact: Copper alloy
 Plated: See Ordering Information
 Wire range: 14~30AWG

Rating:
 Current Rating: 16 Amps/Way max
 Voltage Rating: 300V AC
 Operating Temperature Range: -40~+105°C

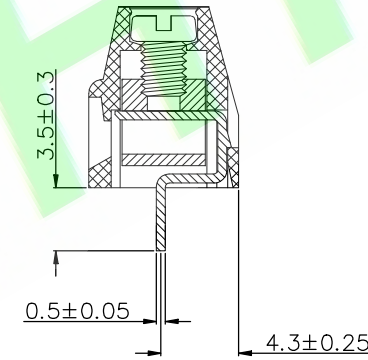
Electrical:
 Contact resistance: 20m Ohm Max
 Withstanding Voltage: 2500V AC/Minute

Ordering Information
 25B50D1RF-XXX-01-X
 1 23 4 5 6

- 1: — Series No.
- 2: — R:R/A Type
- 3: — F:Female
- 4: — No. of Positions
- 5: — Q: Tin Plated
- 6: — A: In Bag
 B: In Tube
 C: In Tray



P.C.B. LAYOUT



PIN	A	B
02	10.0	5.0
03	15.0	10.0
04	20.0	15.0
05	25.0	20.0
06	30.0	25.0
07	35.0	30.0
08	40.0	35.0
09	45.0	40.0
10	50.0	45.0
11	55.0	50.0
12	60.0	55.0
13	65.0	60.0
14	70.0	65.0
15	75.0	70.0
16	80.0	75.0
17	85.0	80.0
18	90.0	85.0
19	95.0	90.0
20	100.0	95.0
21	105.0	100.0
22	110.0	105.0
23	115.0	110.0
24	120.0	115.0

DR.BY.: Judyyan	GENERAL TOLERANCE:		PART NO : 25B50D1RF-XXX-01-X
CHKD.: Tony	LINEAR	ANGLES	DWG. NO.:
APPD.: Billy	> 30 ±0.30	x: ±5.0°	TITLE :
	6~30 ±0.20	x.x: ±3.0°	5.0mm Pitch R/A Female Terminal Block
	0~6 ±0.10	x.xxx: ±2.0°	DATE: 31-Mar-2024
		x.xxx: ±1.0°	

HJBRIGHT 東莞市華晶電子有限公司
 BRIGHT-E ELECTRONIC TECHNOLOGY LIMITED

SHEET: 1/1
 SCALE: 1:1
 UNIT: mm

THIRD ANGLE PROJECTION

A4

1X	ORIGINAL	Judyyan	
REV.	DESCRIPTION	DR.BY	ECN. NO.