

RoHS Compliant

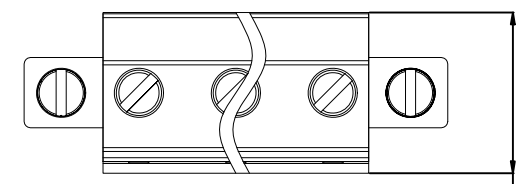
Specifications:
 Material And Finish:
 Insulator: Polyamide UL94V-0
 Color: Black
 Contact: Copper Alloy
 Plated: See Ordering Information
 Wire Range: 12-26AWG

Rating:
 Current Rating: 16 Amps
 Voltage Rating: 300V AC
 Operating Temperature Range: -40°C ~ +105°C

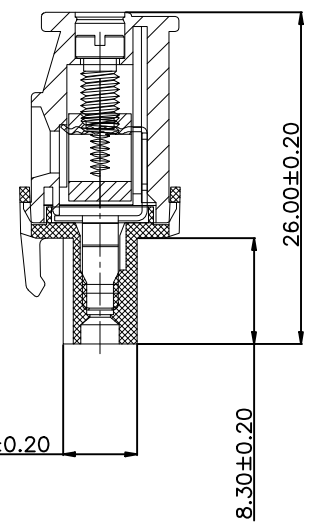
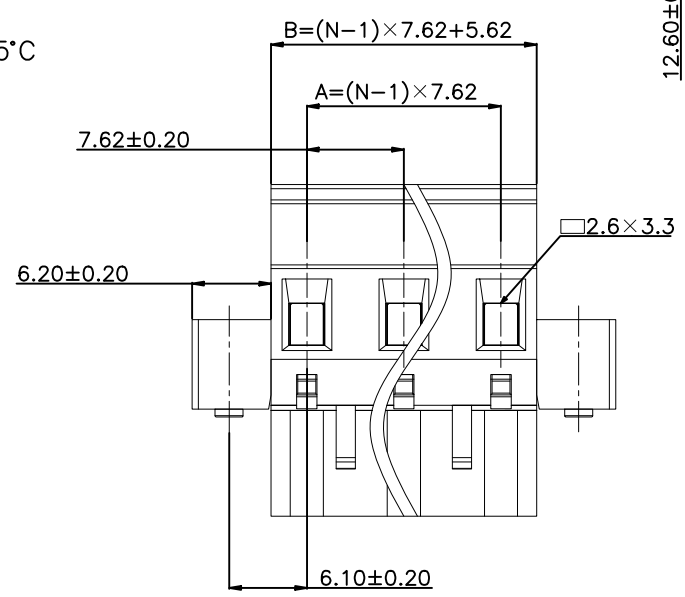
Electrical:
 Contact Resistance: 20m Ohm Max
 Withstanding Voltage: 2500V AC/Minute

Ordering Information
 25W762D1RF-XXX-02-XA
 1 23 4 5 6 7

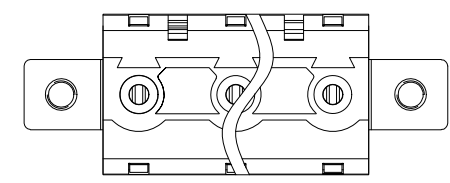
- 1: Series No.
- 2: R:R/A Type
- 3: F:FeMale
- 4: No. of Positions
- 5: Q: Tin Plated
- 6: B: Black
G: Green
- 7: A: In Bag



N=Number of contacts



PIN	Dimension	
	A	B
02	7.62	13.24
03	15.24	20.86
04	22.86	28.48
05	30.48	36.10
06	38.10	43.72
07	45.72	51.34
08	53.34	58.96
09	60.96	66.58
10	68.58	74.50
11	76.20	81.82
12	83.82	89.44
13	91.44	97.06
14	99.06	104.68
15	106.68	112.30
16	114.30	119.62
17	121.92	127.54
18	129.54	135.16
19	137.16	142.78
20	144.78	150.40
21	152.40	158.02
22	160.02	165.64
23	167.64	173.26
24	175.26	180.88



DR.BY.: Judyyan	GENERAL TOLERANCE:		PART NO : 25W762D1RF-XXX-02-XA
CHKD.: Tony	LINEAR	ANGLES	DWG. NO.:
APPD.: Billy	>30 ±0.20	x: ±5.0°	TITLE : 7.62mm Pitch R/A Type FeMale Terminal Block(02~24P)
	6~30 ±0.30	x.x: ±3.0°	DATE: 04-Jun-2026
	0~6 ±0.10	x.xxx: ±2.0°	
		x.xxx: ±1.0°	

HJBRIGHT 東莞市華晶電子有限公司
 BRIGHT-E ELECTRONIC TECHNOLOGY LIMITED

SHEET: 1/1
 SCALE: 1:1
 UNIT: mm

THIRD ANGLE PROJECTION

A4

1X	ORIGINAL	Judyyan	ECN. NO.
REV.	DESCRIPTION	DR.BY	