

Specifications:

Material And Finish:

Insulator:Nylon 66 UL94V-0 Color:Beige
 Contact:Copper Alloy
 Plated:See Ordering Information

Rating:

Current Rating:1.0 Amp
 Voltage Rating:100V AC/DC
 Operating Temperature Range:-25~+85°C

Electrical:

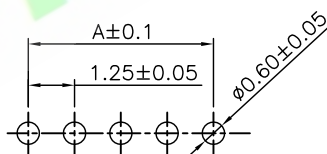
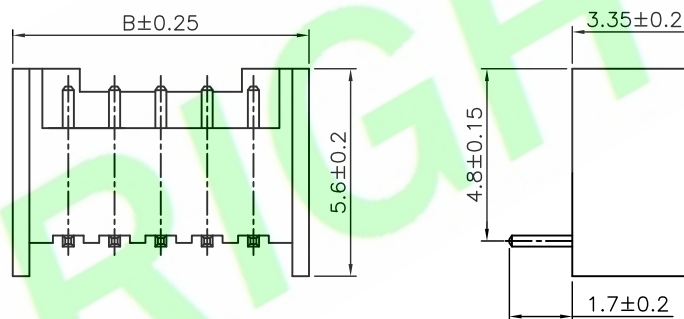
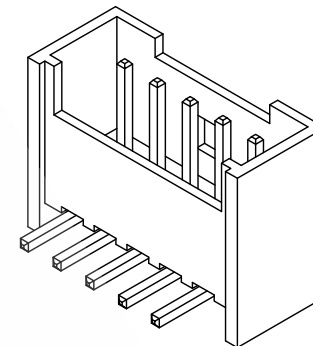
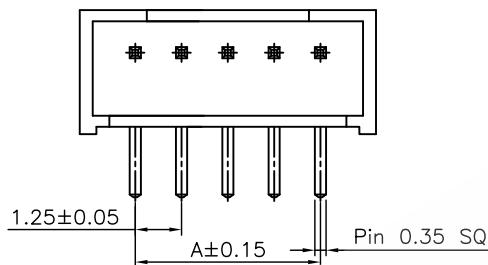
Contact resistance:20m Ohm Max
 Insulator resistance:100M ohm min.
 Withstanding Voltage:500V AC/Minute

Ordering Information

A1251R-XXX-01-X

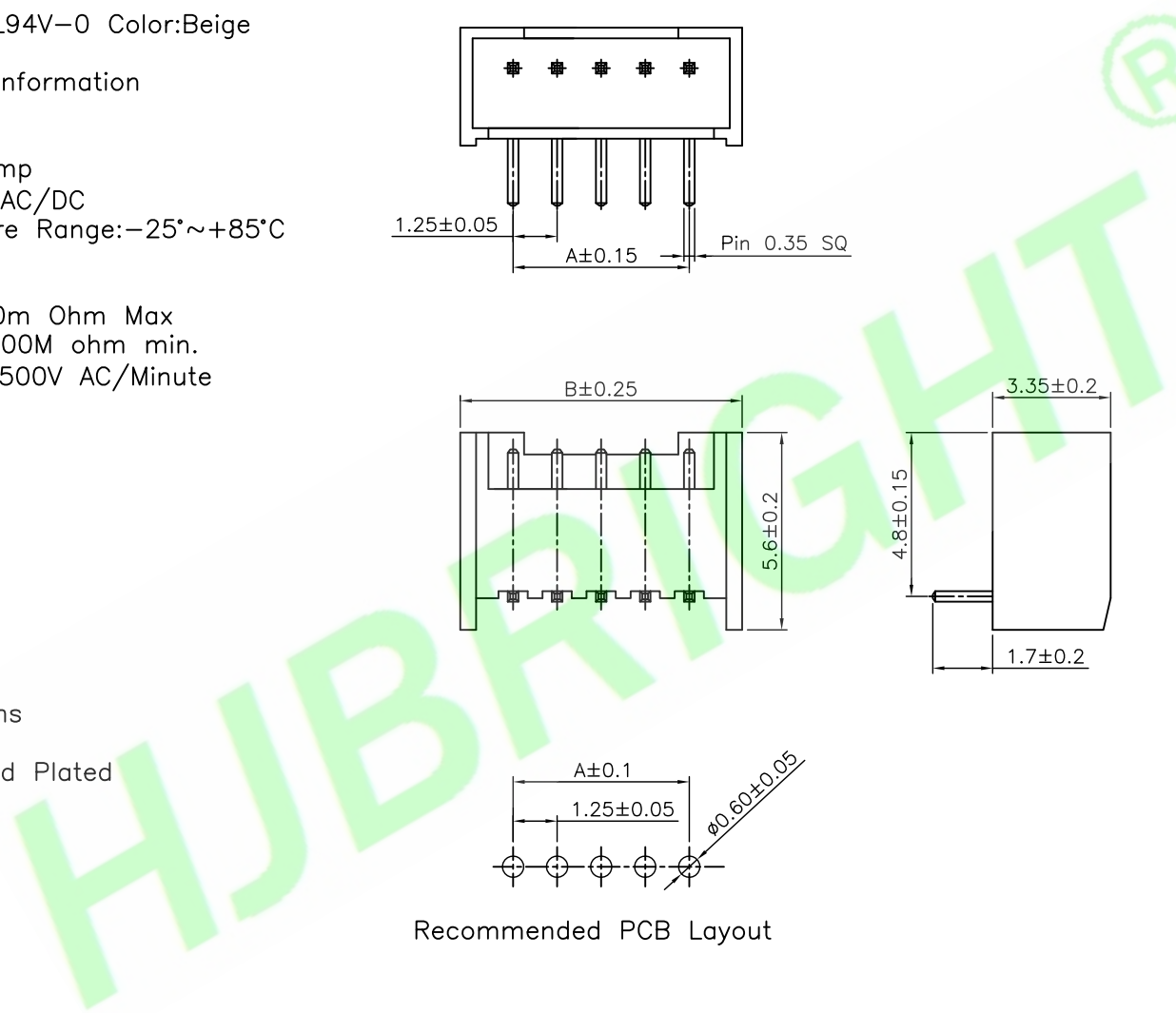
1 2 3 4 5

- 1: Series No.
- 2: R/R/A Type
- 3: No. of Positions
- 4: A:Gold Flash
H:Selective Gold Plated
Q:Tin Plated
- 5: A:In Bag
B:In Tube
C:In Tray



Recommended PCB Layout

Circuits	Dimensions	
	A	B
2	1.25	4.25
3	2.50	5.50
4	3.75	6.75
5	5.00	8.00
6	6.25	9.25
7	7.50	10.50
8	8.75	11.75
9	10.00	13.00
10	11.25	14.25
11	12.50	15.50
12	13.75	16.75
13	15.00	18.00
14	16.25	19.25
15	17.50	20.50



5X			
4X			
3X			
2X			
1X	ORIGINAL	Samson	
REV.	DESCRIPTION	DR.BY	ECN. NO.

DR.BY: Samson	GENERAL TOLERANCE:	
CHKD.: Tony	LINEAR	ANGLES
APPD.: Billy	x.: ±0.30	x': ±5.0°
	x.x: ±0.20	x.x': ±3.0°
	x.xx: ±0.15	x.xxx': ±2.0°
	x.xxx: ±0.10	x.xxxx': ±1.0°

PART NO : A1251R-XXX-01-X
DWG. NO.: RD0806-016
TITLE : 1.25mm Pitch Wafer R/A Type
DATE: 02-Jun-2008

HJBRIGHT 東莞市華晶電子有限公司
 BRIGHT-E ELECTRONIC TECHNOLOGY LIMITED

SHEET: 1/1
 SCALE: 1:1
 UNIT: mm

THIRD ANGLE PROJECTION

A4