

Specifications:

Material And Finish:  
 Insulator:LCP UL94V-0 Color: BLACK  
 Contact:Phosphor Bronze  
 Fixed Shell:Phosphor Bronze

Rating:

Conductor current Rating:Single Pin 1.0 Amp Min.  
 High Frequency:50MHZ  
 Operating Temperature Range:-25°C~+105°C  
 Lead-free reflow welding temperature:260°C

Electrical:

Insulator resistance:20M ohm min.  
 Withstanding Voltage:250V AC/Minute

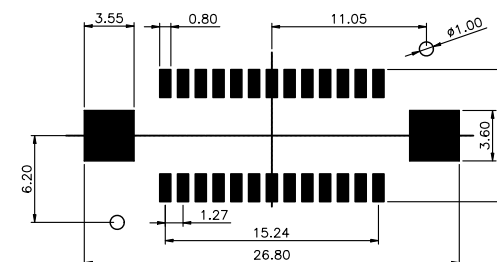
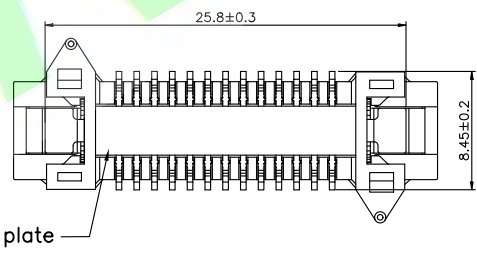
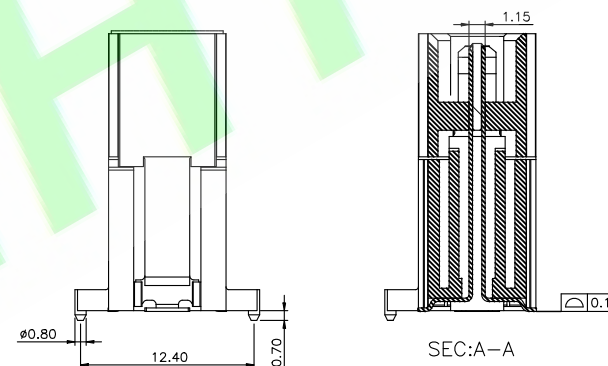
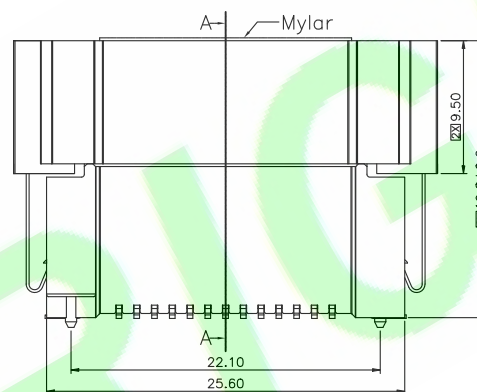
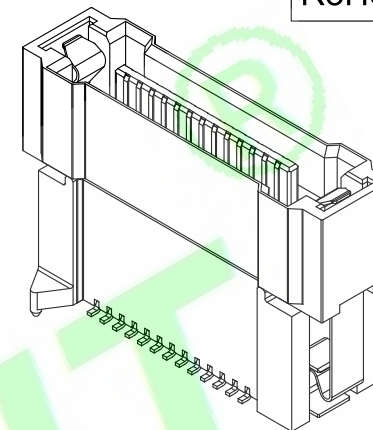
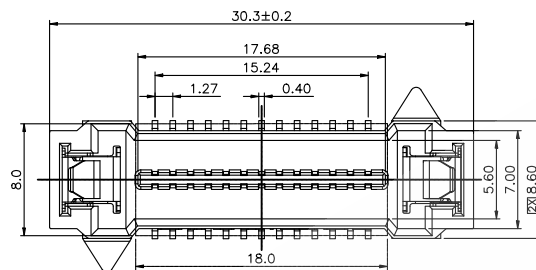
Mechanical:

Mate/Unmate cycles:More than 5000Times  
 Distortion Mate/Unmate cycles:More than 2000Times  
 Distortion Angle:≥7°

Ordering Information

A1270H-26H-198-X  
 1 2 3 4 5 6

- 1: Series No.
- 2: H:SMT Type
- 3: No. of Positions
- 4: H:Contact Plated Gold 30u", other Plated Matte Tin
- 5: 198:Plastic High=19.8mm
- 6: B:In Tube  
E:Tape&Reel



PCB LAYOUT

5X	Add locating plate	Judyyan	20251120	DR.BY:	GENERAL TOLERANCE:		PART NO : A1270H-26H-198-X	
4X	modify Mylar	AREN	20230628	Samson	LINEAR	ANGLES	DWG. NO.:	
3X	Add Mylar	Aaron	20190528	CHKD.:	X.: ±0.30	X': ±5.0°	TITLE :	
2X	变更厚度及高度	Samson	20141218	Tony	X.X: ±0.20	X.X': ±3.0°	1.27mm Pitch male socket Horizontal	
1X	ORIGINAL	Samson		APPD.:	X.XX: ±0.15	X.XX': ±2.0°	SMT Type(H=19.8mm)	
REV.	DESCRIPTION	DR.BY	ECN. NO.	Billy	X.XXX: ±0.10	X.XXX': ±1.0°	DATE: 11-Jun-2014	

**HJBRIGHT**® 东莞市華晶電子有限公司  
 BRIGHT-E ELECTRONIC TECHNOLOGY LIMITED

SHEET: 1/1  
 SCALE: 1:1  
 UNIT: mm

THIRD ANGLE PROJECTION

**A4**