

RoHS Compliant
 Automobile Product

Specifications:
 Material And Finish:
 Insulator:PA9T UL94V-0
 Contact:Copper Alloy
 Plated:See Ordering Information

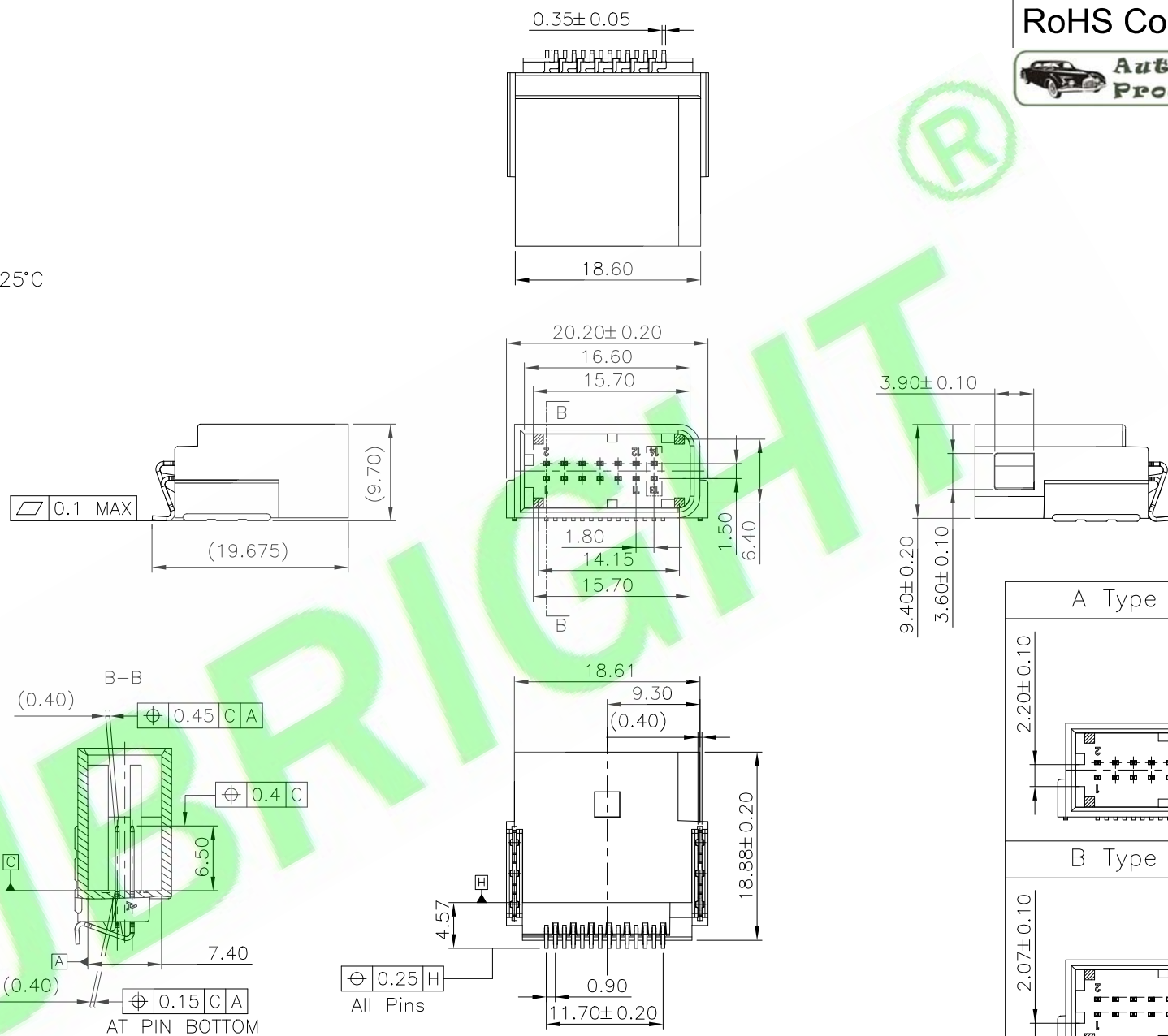
Rating:
 Current Rating:3.0 Amp
 Voltage Rating:24V AC/DC
 Operating Temperature Range:-40~+125°C

Electrical:
 Insulator resistance:100M ohm min.
 Withstanding Voltage:500V AC/Minute

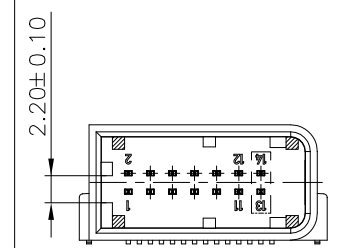
Ordering Information

A18013H-14X-XX-G
 1 2 3 4 5 6

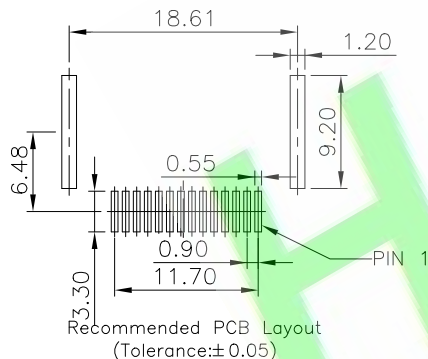
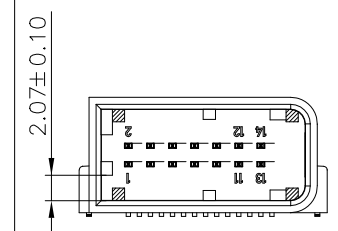
- 1: Series No.
- 2: H:Horizontal SMT Type
- 3: No. of Positions
- 4: Q:Tin Plated
S:Matte Tin Plated
- 5: 01:A Type Black
02:B Type Natural
- 6: G:W/O Cap In Tape&Reel



A Type Black



B Type Natural



DR.BY.: Xiao	GENERAL TOLERANCE:		PART NO : A18013H-14X-XX-G
CHKD.: Judyyan	LINEAR	ANGLES	DWG. NO.:
APPD.: Billy	x.: ±0.30	x': ±5.0°	TITLE : 1.8x1.5mm Pitch Wafer Horizontal SMT Type
ECN. NO.	x.x: ±0.20	x.x': ±3.0°	DATE: 27-Dec-2025
	x.xx: ±0.15	x.xx': ±2.0°	
	x.xxx: ±0.10	x.xxx': ±1.0°	

HJBRIGHT® 東莞市華晶電子有限公司
 BRIGHT-E ELECTRONIC TECHNOLOGY LIMITED

SHEET: 1/1
 SCALE: 1:1
 UNIT: mm

THIRD ANGLE PROJECTION

A4

1X	ORIGINAL	Xiao	
REV	DESCRIPTION	DR.BY	ECN. NO.