

RoHS Compliant



Specifications:  
 Material And Finish:  
 Insulator:LCP UL94V-0 Color:Black  
 Contact:Copper alloy  
 Plated:See Ordering Information

Rating:  
 Current Rating:10 Amp  
 Voltage Rating:50V  
 Operating Temperature Range:-40~+125°C

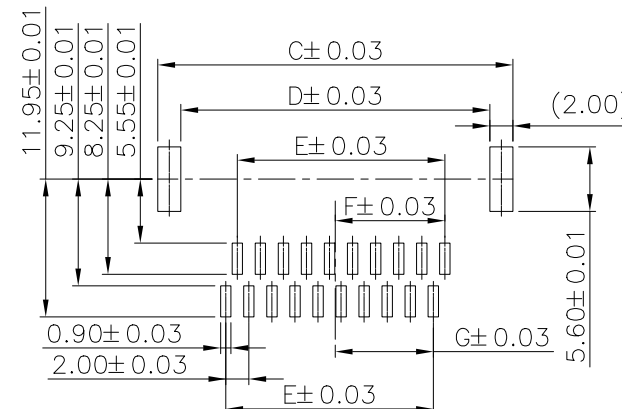
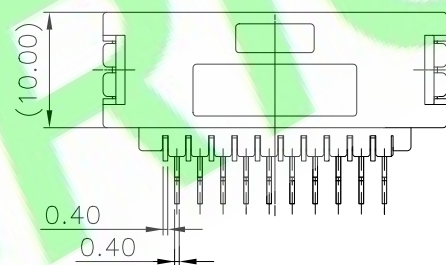
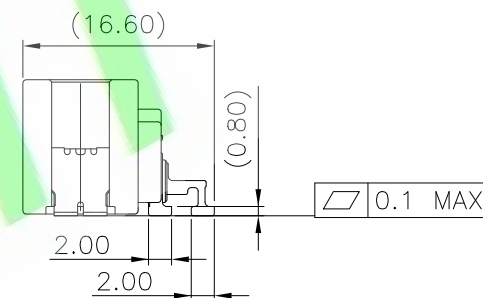
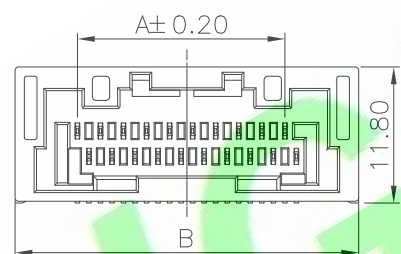
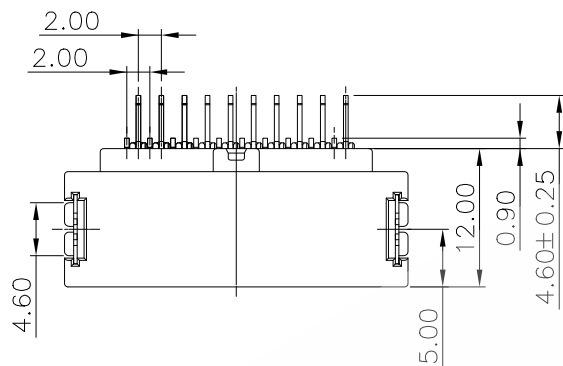
Electrical:  
 Contact resistance:20m Ohm Max  
 Insulator resistance:100M ohm min.  
 Withstanding Voltage:800V AC/Minute

Ordering Information

A20290H-XXX-01-G

1 2 3 4 5

- 1: — Series No.
- 2: — H:Horizontal SMT Type
- 3: — No. of Positions
- 4: — Q:Tin Plated  
S:Matte Tin Plated
- 5: — G:Tape&Reel



Recommended PCB Layout  
(Tolerance:±0.03)

Dimension table							
Dimensions Number of pins	A	B	C	D	E	F	G
20	18.00	29.80	30.80	26.80	18.00	9.50	8.50
28	26.00	37.80	34.80	38.80	34.80	13.50	12.50
32	30.00	41.80	38.80	42.80	42.80	15.50	14.50

DR.BY.: Xiao	GENERAL TOLERANCE:		PART NO : A20290H-XXX-01-G	
CHKD.: Judyyan	LINEAR	ANGLES	DWG. NO.:	
APPD.: Billy	x.: ±0.30	x': ±5.0°	TITLE : 2.54mm Pitch Pin Header Straight Type	
ECN. NO.	x.x: ±0.20	x.x': ±3.0°	DATE: 17-Dec-2025	
	x.xx: ±0.15	x.xx': ±2.0°		
	x.xxx: ±0.10	x.xxx': ±1.0°		

**HJBRIGHT®** 東莞市華晶電子有限公司  
 BRIGHT-E ELECTRONIC TECHNOLOGY LIMITED

SHEET: 1/1  
 SCALE: 1:1  
 UNIT: mm

THIRD ANGLE PROJECTION

**A4**

1X	ORIGINAL	Xiao	
REV	DESCRIPTION	DR.BY	ECN. NO.