

RoHS Compliant



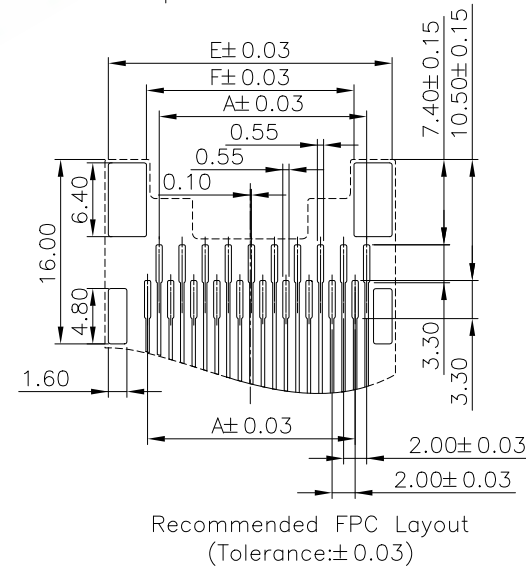
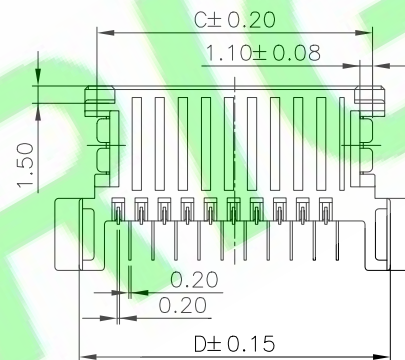
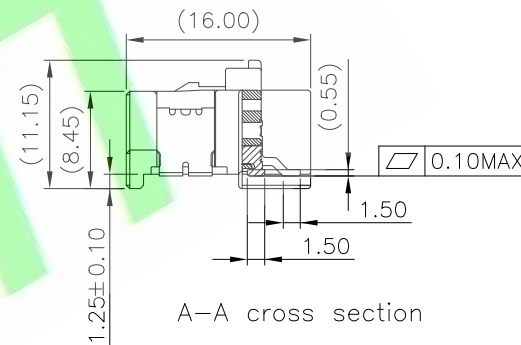
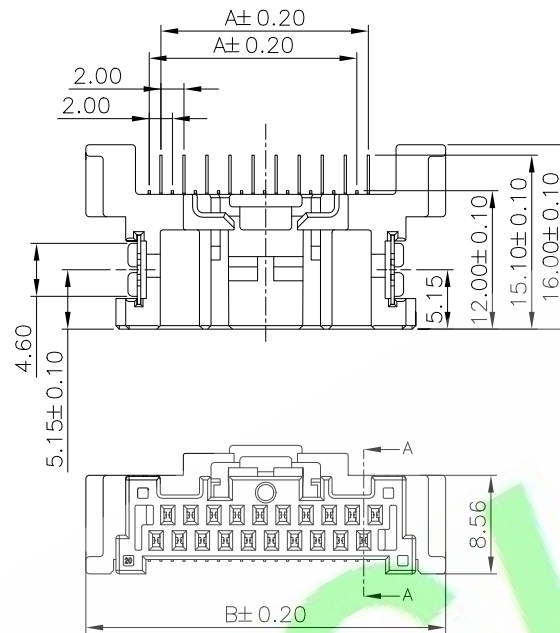
Specifications:
 Material And Finish:
 Insulator:LCP UL94V-0 Color:Black
 Contact:Copper alloy
 Plated:See Ordering Information

Rating:
 Current Rating:1.0 Amp
 Voltage Rating:50V
 Operating Temperature Range:-40~+125°C

Electrical:
 Contact resistance:20m Ohm Max
 Insulator resistance:100M ohm min.
 Withstanding Voltage:800V AC/Minute

Ordering Information
 A20290H-XXXF-01-G
 1 2 3 4 5 6

- 1: — Series No.
- 2: — H:Horizontal SMT Type
- 3: — No. of Positions
- 4: — Q: Tin Plated
S: Matte Tin Plated
- 5: — F: Female
- 6: — G: Tape & Reel



Dimensions Number of pins	A	B	C	D	E	F
20	18.00	31.20	23.90	26.40	24.60	18.00
28	26.00	39.20	31.90	34.40	32.60	26.00
32	30.00	43.20	35.90	38.40	36.60	30.00

DR.BY.: Xiao	GENERAL TOLERANCE:		PART NO : A20290H-XXXF-01-G	
CHKD.: Judyyan	LINEAR	ANGLES	DWG. NO.:	
APPD.: Billy	x.: ±0.30	x': ±5.0°	TITLE : 2.00mm Pitch Pin Female Horizontal SMT Type	
ECN. NO.	x.x: ±0.20	x.x': ±3.0°	DATE: 17-Dec-2025	
	x.xx: ±0.15	x.xx': ±2.0°		
	x.xxx: ±0.10	x.xxx': ±1.0°		

HJBRIGHT® 東莞市華晶電子有限公司
 BRIGHT-E ELECTRONIC TECHNOLOGY LIMITED

SHEET: 1/1
 SCALE: 1:1
 UNIT: mm

THIRD ANGLE PROJECTION

A4

1X	ORIGINAL	Xiao	
REV	DESCRIPTION	DR.BY	ECN. NO.