

RoHS Compliant



Specifications:

Material And Finish:
 Insulator:PBT UL94V-0 Color:Black
 Contact:Phosphor Bronze
 Plated:See Ordering Information

Rating:

Current Rating:6 Amp
 Voltage Rating:30V AC/DC
 Operating Temperature Range:-25~+85°C

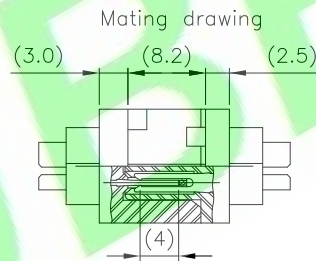
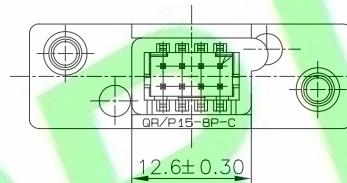
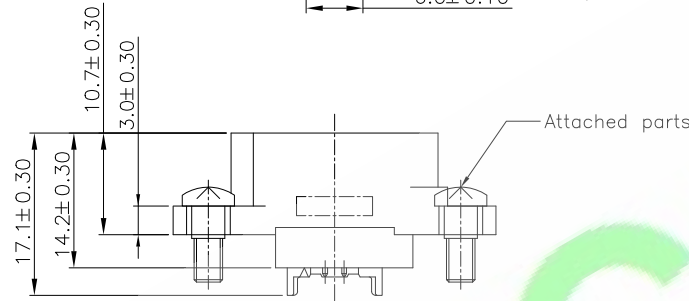
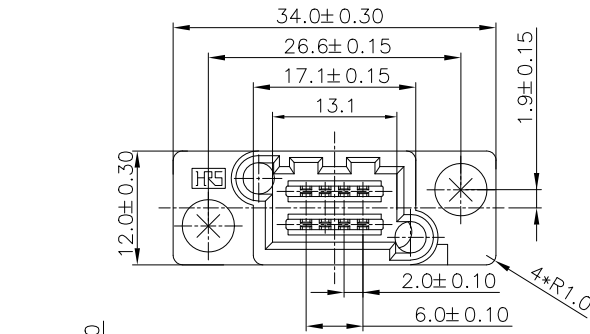
Electrical:

Contact resistance:50m Ohm Max
 Insulator resistance:1000M ohm min.
 Withstanding Voltage:1000V AC/Minute

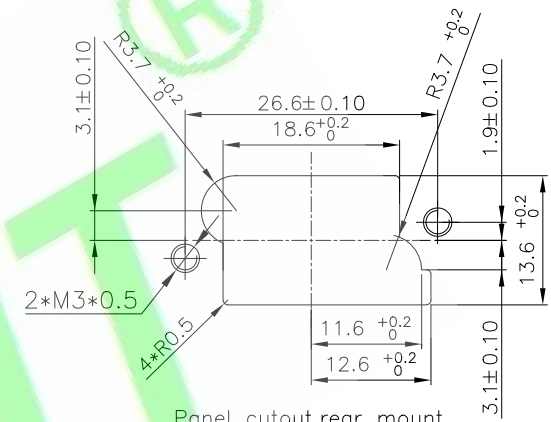
Ordering Information

A20300S-08AF-01-X
 1 2 3 4 5 6

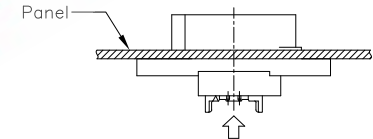
- 1: Series No.
- 2: S: Straight Type
- 3: No. of Positions
- 4: A: Gold Flash
- 5: F: Female
- 6: A: In bag
 B: In Tube
 C: In Tray



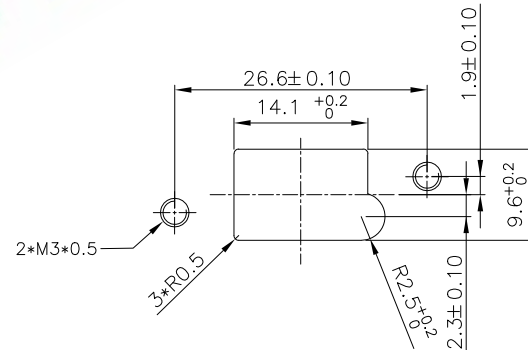
Contact area :Gold Plating 0.2µm
 Terminal area:Gold Plating 0.2µm
 Under :Nickel Plating 0.8µm



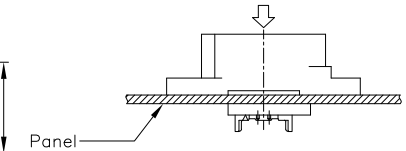
Panel cutout, rear mount
 (Applicable panel thickness t=3 max)



Connector mounting direction
 Effective screw thread shall be 1.5mm min.



Connector mounting direction

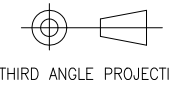


Panel cutout, front mount
 (Applicable panel thickness t=3 max)
 Effective screw thread shall be 1.5mm min.

DR.BY.: Xiao	GENERAL TOLERANCE:		PART NO : A20300S-08AF-01-X	
CHKD.: Judyyan	LINEAR	ANGLES	DWG. NO.:	
APPD.: Billy	x.: ±0.30	x': ±5.0°	TITLE : 2.0mm Pitch Female Straight Type	
ECN. NO.	x.x: ±0.20	x.x': ±3.0°	DATE: 17-Jan-2026	
	x.xx: ±0.15	x.xx': ±2.0°		
	x.xxx: ±0.10	x.xxx': ±1.0°		

HJBRIGHT® 東莞市華晶電子有限公司
 BRIGHT-E ELECTRONIC TECHNOLOGY LIMITED

SHEET: 1/1
 SCALE: 1:1
 UNIT: mm



A4

1X	ORIGINAL	Xiao	
REV	DESCRIPTION	DR.BY	ECN. NO.