

RoHS Compliant



Specifications:

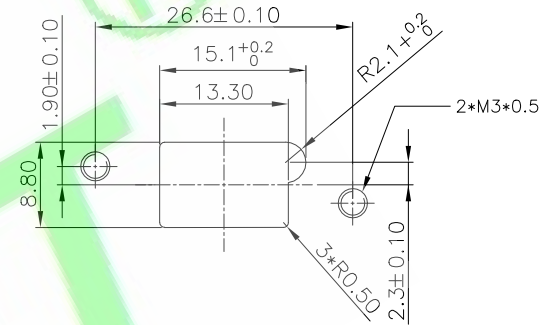
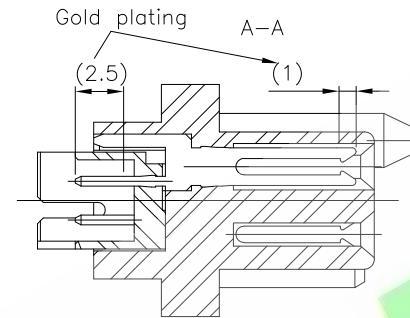
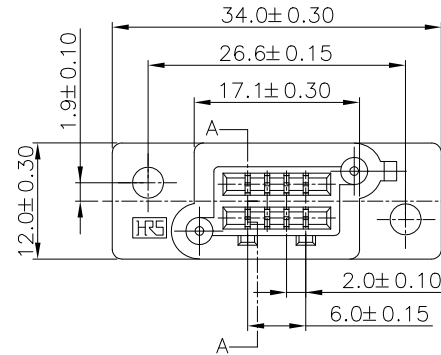
Material And Finish:  
 Insulator:PBT UL94V-0 Color:Black  
 Contact:Phosphor Bronze  
 Plated:See Ordering Information

Rating:

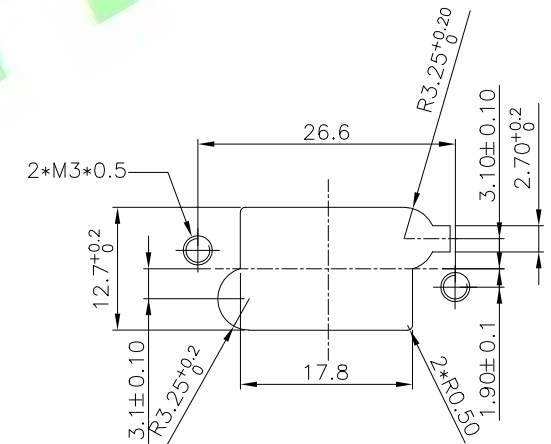
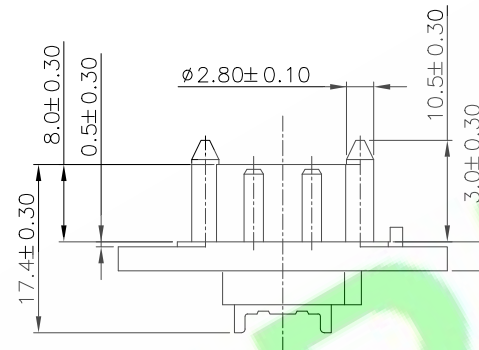
Current Rating:6 Amp  
 Voltage Rating:30V AC/DC  
 Operating Temperature Range:-25~+85°C

Electrical:

Contact resistance:50m Ohm Max  
 Insulator resistance:1000M ohm min.  
 Withstanding Voltage:1000V AC/Minute



Panel cutout,front mount  
 (APPlieadle panel thickness t=3 max)  
 Effective screw ared shall be 1. 5mm min.



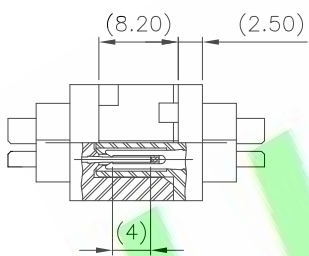
Panel cutout,rear mount  
 (APPlieadle panel thickness t=3 max)  
 Effective screw ared shall be 1. 5mm min.

Ordering Information

A20300S-08AM-01-X  
 1 2 3 4 5 6

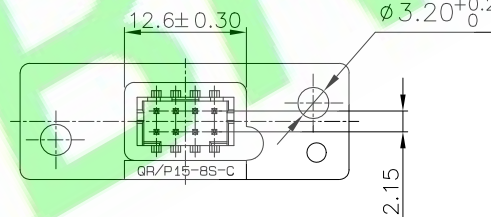
- 1: Series No.
- 2: S: Straight Type
- 3: No. of Positions
- 4: A: Gold Flash
- 5: M: Male
- 6: A: In bag  
 B: In Tube  
 C: In Tray

Mating drawing  
 Dimension between flanges



EFFECTIVE matinc length

Contact area :Gold Plating 0.2 μmin  
 Terminal area:Gold Plating 0.2 μmin  
 Under :Nickel Plating 0.8 μmin



DR.BY.: Xiao	GENERAL TOLERANCE:		PART NO : A20300S-08AM-01-X	
CHKD.: Judyyan	LINEAR	ANGLES	DWG. NO.:	
APPD.: Billy	x.: ±0.30	x': ±5.0°	TITLE : 2.0mm Pitch Male Straight Type	
ECN. NO.	x.x: ±0.20	x.x': ±3.0°	DATE: 17-Jan-2026	
	x.xx: ±0.15	x.xx': ±2.0°		
	x.xxx: ±0.10	x.xxx': ±1.0°		

**HJBRIGHT®** 東莞市華晶電子有限公司  
 BRIGHT-E ELECTRONIC TECHNOLOGY LIMITED

SHEET: 1/1		<b>A4</b>
SCALE: 1:1		
UNIT: mm	THIRD ANGLE PROJECTION	

1X	ORIGINAL	Xiao	
REV	DESCRIPTION	DR.BY	ECN. NO