

RoHS Compliant

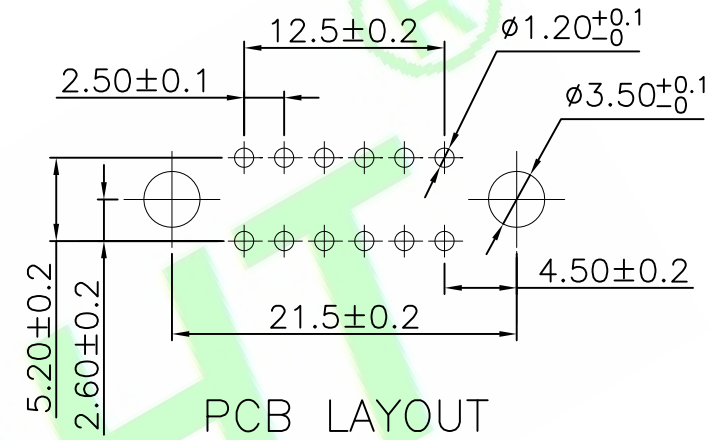
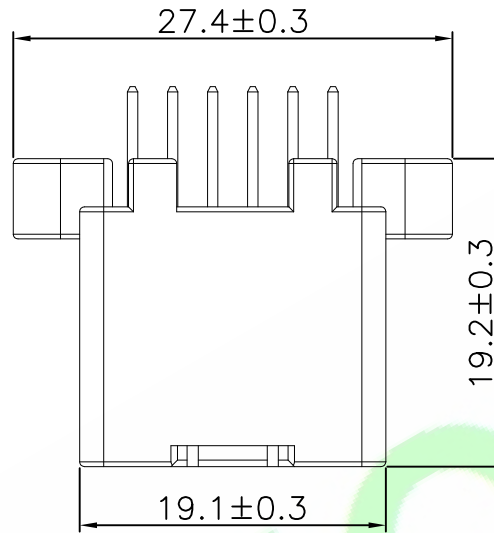
Specifications:

Material And Finish:

Insulator:PBT Color:Black
 Contact:Brass
 Plated:See Ordering Information

Rating:

Current Rating:5.0 Amp
 Voltage Rating:12V AC/DC
 Operating Temperature Range:-40°~+105°C



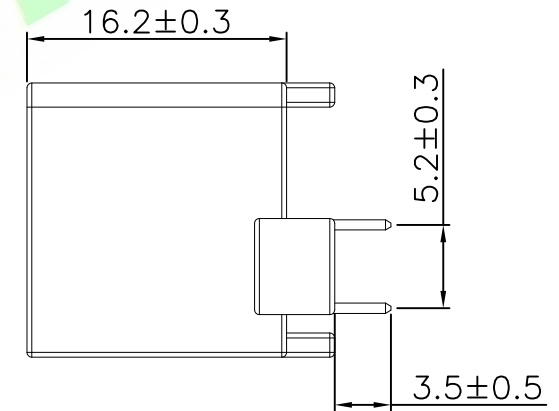
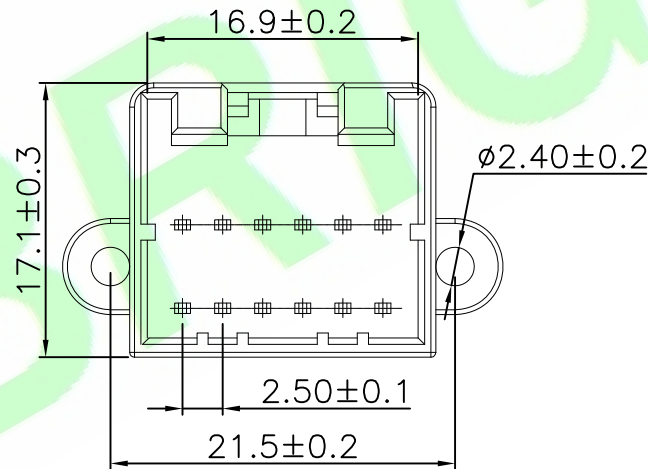
PCB LAYOUT

Ordering Information

A25009S-12Q-01-C

1 2 3 4 5

- 1: — Series No.
- 2: — S: Straight Type
- 3: — No. of Positions
- 4: — Q: Tin Plated
- 5: — C: In Tray



5X			
4X			
3X			
2X	Update code options	Judyyan	20220726
1X	ORIGINAL	Samson	
REV.	DESCRIPTION	DR.BY	ECN. NO.

DR.BY.: Samson	GENERAL TOLERANCE:	
CHKD.: Tony	LINEAR	ANGLES
APPD.: Billy	X.: ±0.35	X': ±5.0°
	X.X: ±0.25	X.X': ±3.0°
	X.XXX: ±0.15	X.XXX': ±2.0°
		X.XXX': ±1.0°

PART NO : A25009S-12Q-02-C
DWG. NO.:
TITLE : CN13 Series PCB Header(V-Type)
DATE: 10-Aug-2016

HJBRIGHT ® 東莞市華晶電子有限公司	
BRIGHT-E ELECTRONIC TECHNOLOGY LIMITED	
SHEET: 1/1	 THIRD ANGLE PROJECTION
SCALE: 1:1	
UNIT: mm	
A4	