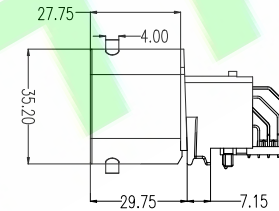
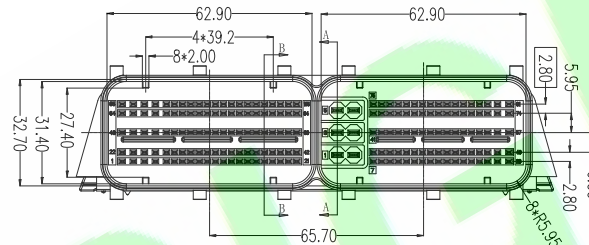
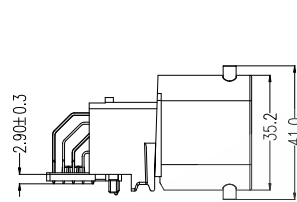
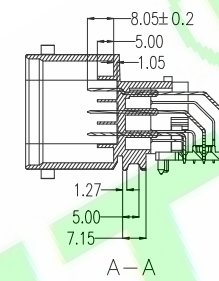
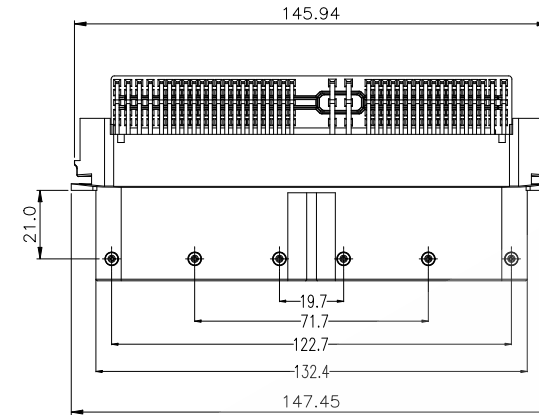
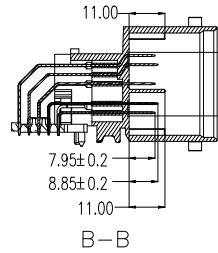


RoHS Compliant

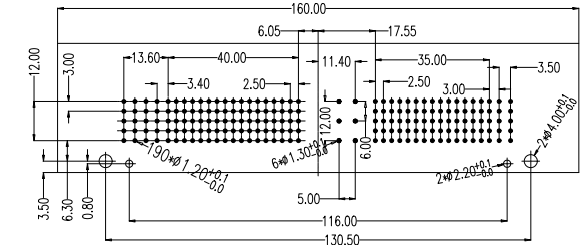
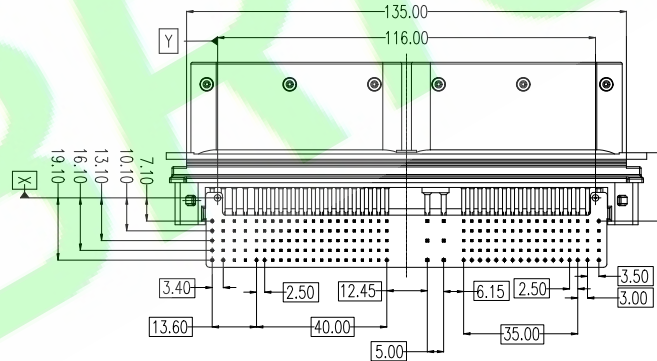


Specifications:
 Material And Finish:
 Insulator:PBT UL94V-0 Color:Black
 Contact:Brass
 Plated: Tin Plated
 Operating Temperature
 Range:-40~+105°C



Ordering Information
 A253500R-196Q-01-C
 1 2 3 4 5

- 1: Series No.
- 2: R:R/A Type
- 3: No. of Positions
- 4: Q: Tin Plated
- 5: C: In Tray



PCB board layout recommendation:
 Tolerance ±0.05mm

1X	ORIGINAL	Judyyan	
REV.	DESCRIPTION	DR.BY	ECN. NO.

DR.BY.: Judyyan	GENERAL TOLERANCE:		PART NO A253500R-196Q-01-C	
CHKD.: Tony	LINEAR	ANGLES	DWG. NO.:	
APPD.: Billy	x.: ±0.50	x°: ±2.0°	TITLE :	
	x.x: ±0.40	x.x°: ±2.0°	CMC HEADER 196P CONNECTOR	
	x.xxx: ±0.30	x.xxx°: ±2.0°	DATE: 14-Apr-2024	

HJBRIGHT® 东莞市華晶電子有限公司
 BRIGHT-E ELECTRONIC TECHNOLOGY LIMITED

SHEET: 1/1
 SCALE: 1:1
 UNIT: mm

THIRD ANGLE PROJECTION

A4