

RoHS Compliant



Specifications:

Material And Finish:
 Insulator:PA9T UL94V-0 Color:Black
 Contact:High Conductivity Copper
 Plated:Matte Tin Plated

Rating:

Current Rating:7.5 Amp
 Voltage Rating:250V AC/DC
 Operating Temperature
 Range:-40°~+125°C

Electrical:

Contact resistance:20m Ohm Max
 Insulator resistance:1000M ohm min.
 Dielectric Voltage:500V AC/Minute

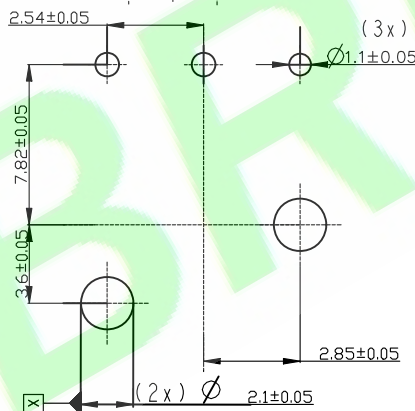
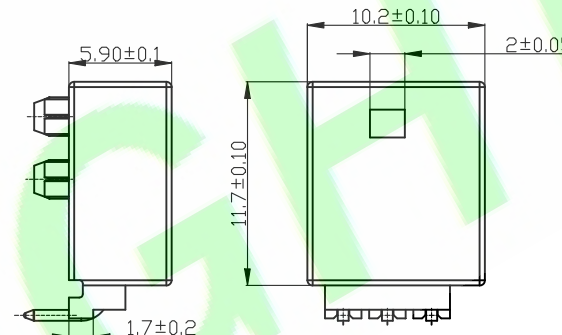
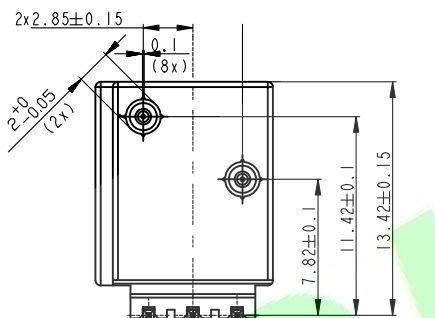
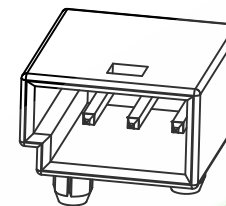
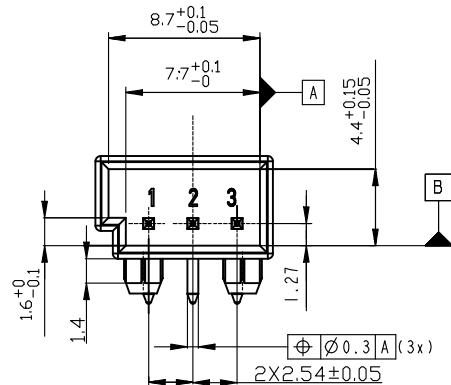
Weight:0.89g

Ordering Information

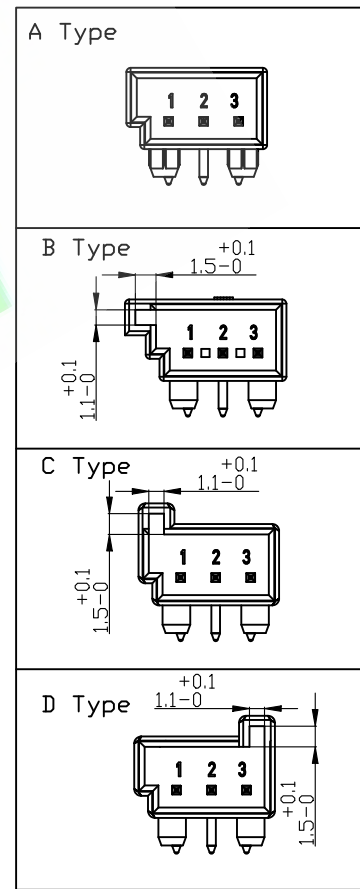
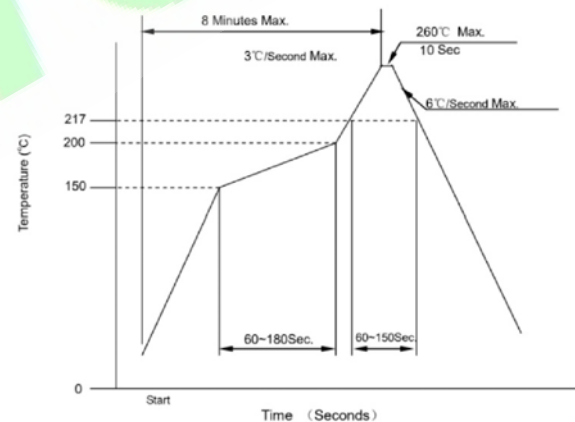
A25414RA-03S-XX-GG

1 2 3 4 5 6

- 1: — Series No.
- 2: — R:R/A Type
- 3: — No. of Positions
- 4: — S:Matte Tin Plated
- 5: — 01:A TYPE
02:B TYPE
03:C TYPE
04:D TYPE
- 6: — G:W/O Cap In Tape&Reel



RECOMMENDED PCB LAY-OUT
 empfohlene Leiterplatten -Layout
 (NOT TO SCALE)



6X	Update the drawings	Zolin	20260506
5X	Add New Options	Zolin	20260302
4X	Update the drawings	Zolin	20260120
3X	Update the drawings	Zolin	20251007
2X	Add information of product weight	Zolin	20250920
REV	DESCRIPTION	DR.BY	ECN. NO.

DR.BY:	Zolin
CHKD.:	Hu.CH
APPD.:	Billy
GENERAL TOLERANCE:	
LINEAR	x.: ±0.30
ANGLES	x': ±5.0°
	x.x: ±0.20
	x.x': ±3.0°
	x.xx: ±0.15
	x.xx': ±2.0°
	x.xxx: ±0.10
	x.xxx': ±1.0°

PART NO :	A25414RA-03S-XX-GG
DWG. NO.:	
TITLE :	2.54mm PITCH CN12 Series PCB Header R/A Type
DATE :	13-Sep-2025

HJBRIGHT® 东莞市華晶電子有限公司
 BRIGHT-E ELECTRONIC TECHNOLOGY LIMITED

SHEET: 1/1
 SCALE: 1:1
 UNIT: mm

THIRD ANGLE PROJECTION

A4