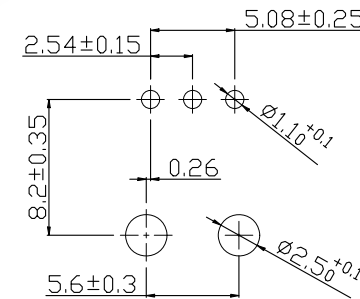
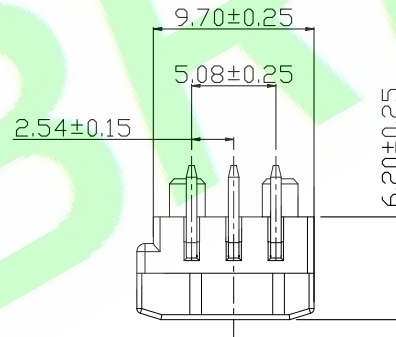
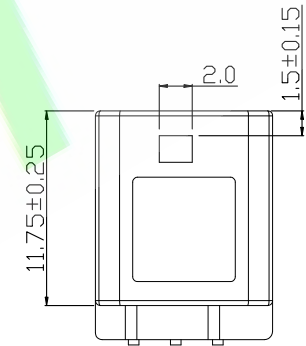
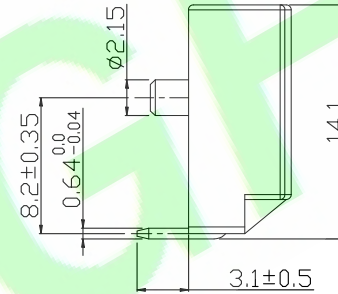
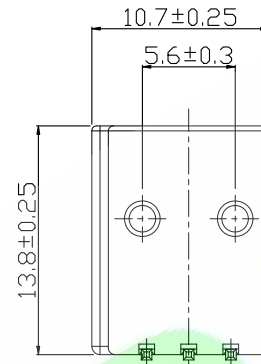
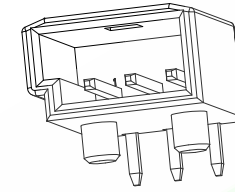
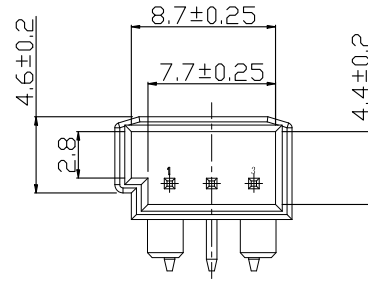


Specifications:  
 Material And Finish:  
 Insulator:PA9T UL94V-0 Color:Black  
 Contact:Brass  
 Plated:Tin Plated  
 Rating:  
 Current Rating:3.5 Amp (22AWG)  
 Voltage Rating:250V AC/DC  
 Operating Temperature Range:-40~+120°C

Electrical:  
 Contact resistance:10m Ohm Max  
 Insulator resistance:1000M ohm min.  
 Dielectric Voltage:500V AC/Minute

Ordering Information  
 A25414RB-03X-01-X  
 1 2 3 4 5

- 1: — Series No.
- 2: — R:R/A Type
- 3: — No. of Positions
- 4: — Q: Tin Plated  
S: Matte Tin Plated
- 5: — A: In Bag  
C: In Tray  
G: In Tape & Reel



PCB LAYOUT

2X Update Code options		Judyyan	20231106	DR.BY: Judyyan	GENERAL TOLERANCE:		PART NO : A25414RB-03X-01-X		<b>HJBRIGHT®</b> 东莞市華晶電子有限公司 BRIGHT-E ELECTRONIC TECHNOLOGY LIMITED		
1X ORIGINAL		Judyyan		CHKD: Mark	LINEAR	ANGLES	DWG. NO.:				
REV	DESCRIPTION	DR.BY	ECN. NO	APPD: Billy	x.: ±0.30	x': ±5.0°	TITLE : 2.54mm PITCH CN12 Series PCB Header R/A Type		SHEET: 1/1	THIRD ANGLE PROJECTION	
					x.x: ±0.20	x.x': ±3.0°	DATE: 30-Jun-2019		SCALE: 1:1		<b>A4</b>
					x.xxx: ±0.10	x.xxx': ±1.0°			UNIT: mm		