

■ SPECIFICATIONS :

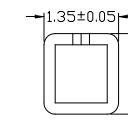
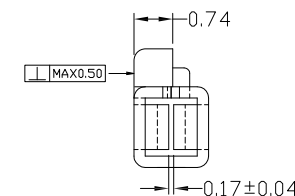
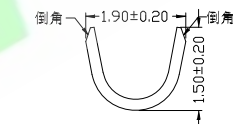
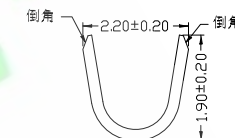
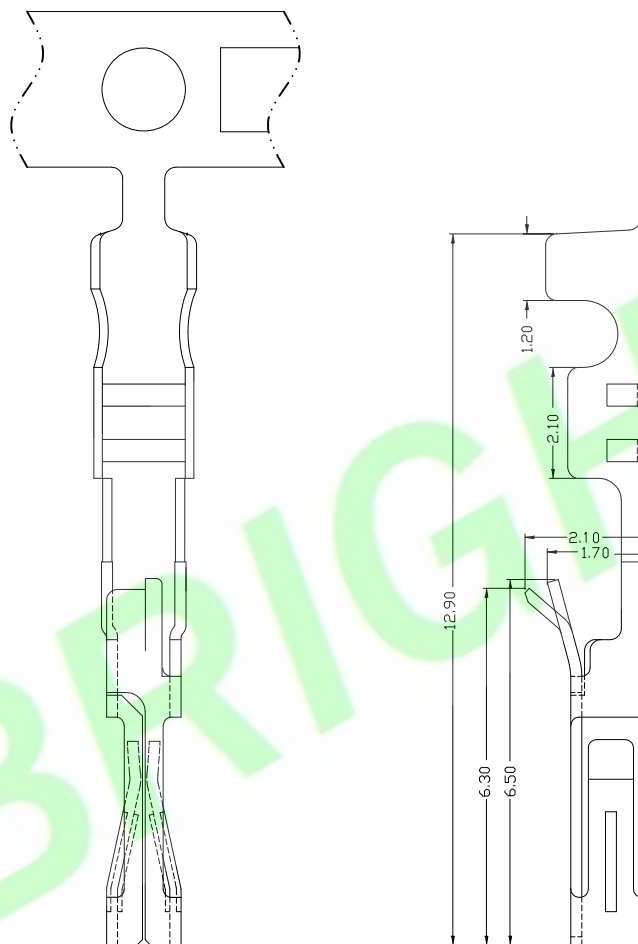
- Voltage Rating: 250V AC / DC
- Current Rating: 3A AC / DC
- Withstanding Voltage: 1500V AC/minute
- Temperature Range: -25°C~+85°C
- Insulation Resistance: 1000MΩ Min.
- Contact Resistance: 20mΩ Max.

Ordering Information

A2541 T F - P XX B

1 2 3 4 5 6

- 1: — Series No.:
- 2: — Category: T- Terminal
- 3: — Terminal Type: F-mate with male housing
- 4: — Material: P-Phosphor Bronze, B-Brass
- 5: — Plating : G1-Gold Flash, T1- Tin Plated
GT- Contact Gold Flash Bottom Nickel(镀半金)
GM-Half-gold,Matte Tin(镀半金雾锡)
- 6: — Other Types: B-loose Type(松端)



Part No	Wire Range	Insulation O.D.	Material	Finish	Qty/reel
A2541TF-PG1B	AWG#22-#26	1.63mm(max)	Phosphor Bronze	Gold flash	15,000pcs
A2541TF-PT1B	AWG#22-#26	1.63mm(max)	Phosphor Bronze	Tin Plated	15,000pcs
A2541TF-PGTB	AWG#22-#26	1.63mm(max)	Phosphor Bronze	Contact Gold Flash Bottom Nickel	15,000pcs
A2541TF-PGTB	AWG#22-#26	1.63mm(max)	Phosphor Bronze	Half-gold, Matte Tin	15,000pcs

5X				DR.BY.: Samson
4X				CHKD.: Tony
3X				APPD.: Billy
2X				
1X	ORIGINAL	Joy chen	A001	
REV.	DESCRIPTION	DR.BY	ECN. NO.	

GENERAL TOLERANCE:	
LINEAR	ANGLES
X.: ±0.30	X': ±5.0°
X.X: ±0.20	X.X': ±3.0°
X.XX: ±0.15	X.XX': ±2.0°
X.XXX: ±0.10	X.XXX': ±1.0°

PART NO : A2541TF-PXXB
DWG. NO.:
TITLE : 2.54mm Pitch Terminal loose Type(松端)
DATE: 12-Mar-2018

HJBRIGHT 东莞市华晶电子有限公司
BRIGHT-E ELECTRONIC TECHNOLOGY LIMITED

SHEET: 1/1
SCALE: 1:1
UNIT: mm



THIRD ANGLE PROJECTION

A4