

RoHS Compliant

Specifications:

Material And Finish:

Insulator:Nylon 6T UL94V-0 Color:Black

Contact:Brass

Plated:See Ordering Information

Rating:

Current Rating:8.5Amp (2P/18AWG)

Voltage Rating:600V AC/DC

Operating Temperature Range:-40~+125°C

Electrical:

Contact resistance:10m Ohm Max

Insulator resistance:1000M ohm min.

Withstanding Voltage:1500V AC/Minute

Ordering Information

A3001R-XXX-01-C

1 2 3 4 5

1: — Series No.

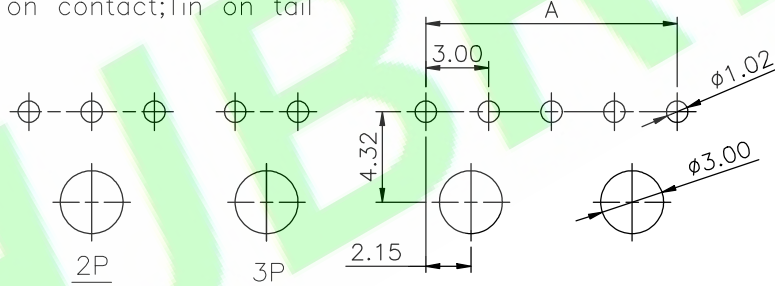
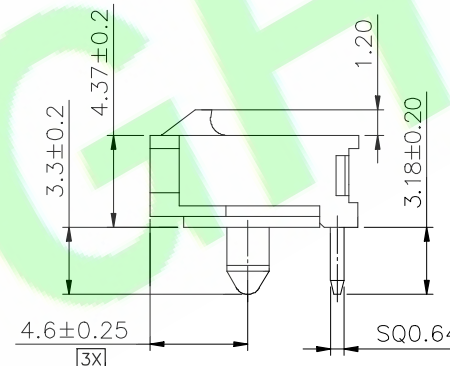
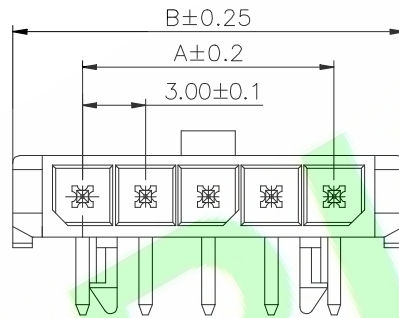
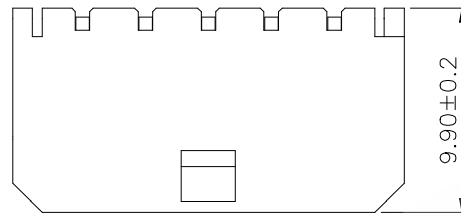
2: — R:R/A Type

3: — No. of Positions

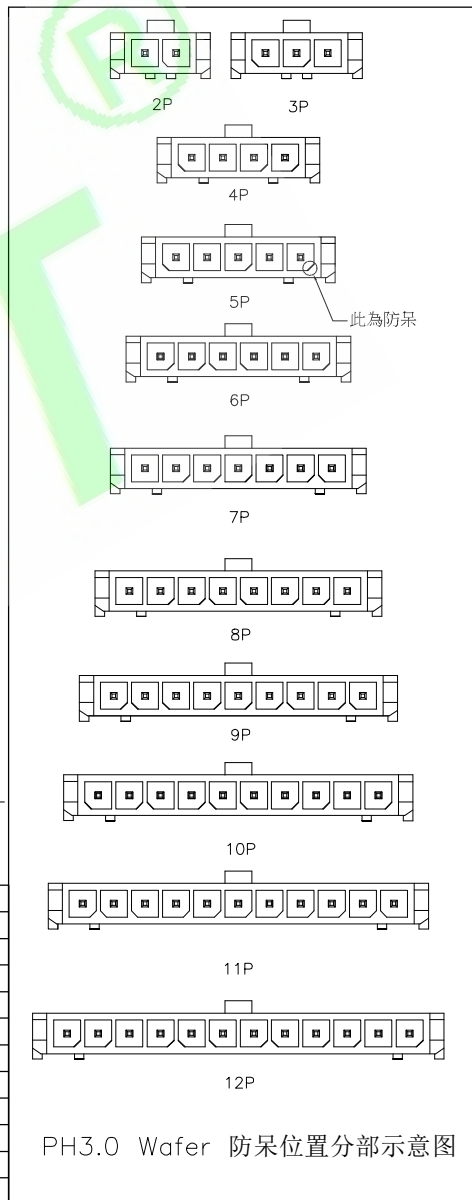
4: — Q: Tin Plated

A1: Gold flash on contact; Tin on tail

5: — C: In Tray



Recommended PCB Layout



CIRCUITS	DIM.A	DIM.B
2	3.00	9.65
3	6.00	12.65
4	9.00	15.65
5	12.00	18.65
6	15.00	21.65
7	18.00	24.65
8	21.00	27.65
9	24.00	30.65
10	27.00	33.65
11	30.00	36.65
12	33.00	39.65

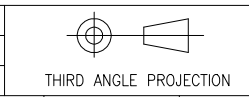
PH3.0 Wafer 防呆位置分部示意图

3X	Optimize tolerance	Judyyan	20260103
2X	Update code options	Judyyan	20220903
1X	ORIGINAL	Judyyan	
REV.	DESCRIPTION	DR.BY	ECN. NO.

DR.BY.: Samson	GENERAL TOLERANCE:		PART NO : A3001R-XXX-01-C
CHKD.: Tony	LINEAR	ANGLES	
	x.: ±0.30	x': ±5.0°	
	x.x: ±0.20	x.x': ±3.0°	
APPD.: Billy	x.xx: ±0.15	x.xx': ±2.0°	TITLE : 3.0mm Pitch Wafer R/A Type
	x.xxx: ±0.10	x.xxx': ±1.0°	DATE: 5-May-2022

DWG. NO.:	SHEET: 1/1	
DATE: 5-May-2022		SCALE: 1:1
		UNIT: mm

HJBRIGHT 東莞市華晶電子有限公司
BRIGHT-E ELECTRONIC TECHNOLOGY LIMITED



A4