

Specifications:

Material And Finish:

Insulator:Nylon 66 UL94V-2
 Contact:Barss
 Plated:See Ordering Information

Rating:

Current Rating:5.0 Amp
 Voltage Rating:250V AC/DC
 Operating Temperature Range:-25~+85°C

Electrical:

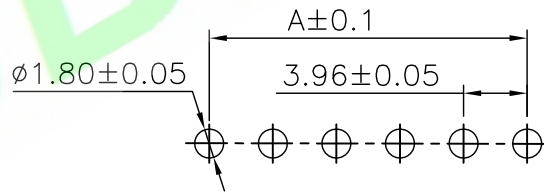
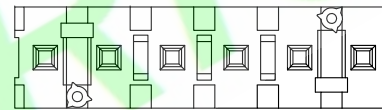
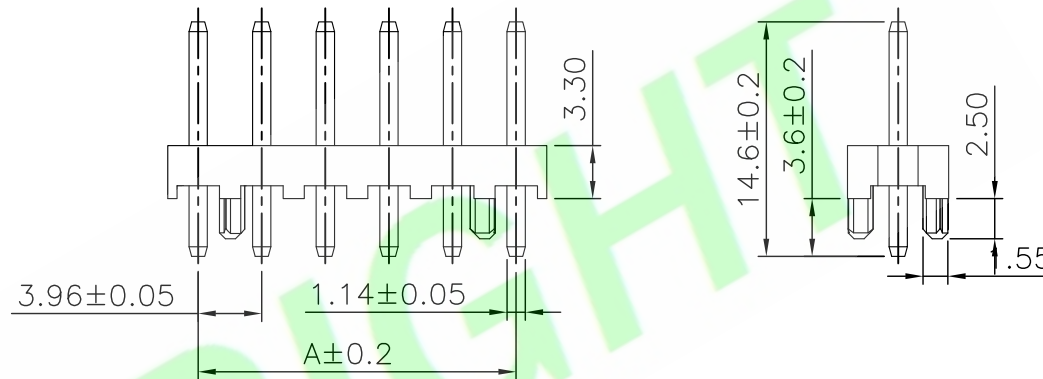
Contact resistance:10m Ohm Max
 Insulator resistance:1000M ohm min.
 Withstanding Voltage:1500V AC/Minute

Ordering Information

A3960CS-XXX-01-X

1 2 3 4 5

- 1:— Series No.
- 2:— S: Straight Type
- 3:— No. of Positions
- 4:— A: Gold Flash
Q: Tin Plated
- 5:— A: In Bag
B: In Tube
C: In Tray



Recommended PCB Layout

Circuits	Dimension mm	
	A	B
02	3.96	7.76
03	7.92	11.72
04	11.88	15.68
05	15.84	19.64
06	19.80	23.60
07	23.76	27.56
08	27.72	31.52
09	31.68	35.48
10	35.64	39.44
11	39.60	43.40
12	43.56	47.36
13	47.52	51.32
14	51.48	55.28
15	55.44	59.24
16	59.40	63.20

RoHS Compliant

5X				DR.BY.: Samson	GENERAL TOLERANCE:		PART NO : A3960CS-XXX-01-X		HJBRIGHT 东莞市華晶電子有限公司 BRIGHT-E ELECTRONIC TECHNOLOGY LIMITED
4X					LINEAR	ANGLES	DWG. NO.: RD0806-077		
3X				CHKD.: Tony	x.: ±0.30	x': ±5.0°	TITLE :		
2X				APPD.: Billy	x.x: ±0.20	x.x': ±3.0°	3.96mm Pitch Wafer Straight Type		
1X	ORIGINAL	Samson			x.xx: ±0.15	x.xx': ±2.0°	DATE: 26-Jun-2008		
REV.	DESCRIPTION	DR.BY	ECN. NO.		x.xxx: ±0.10	x.xxx': ±1.0°	SHEET: 1/1		THIRD ANGLE PROJECTION
							SCALE: 1:1		
							UNIT: mm		