

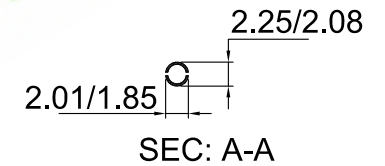
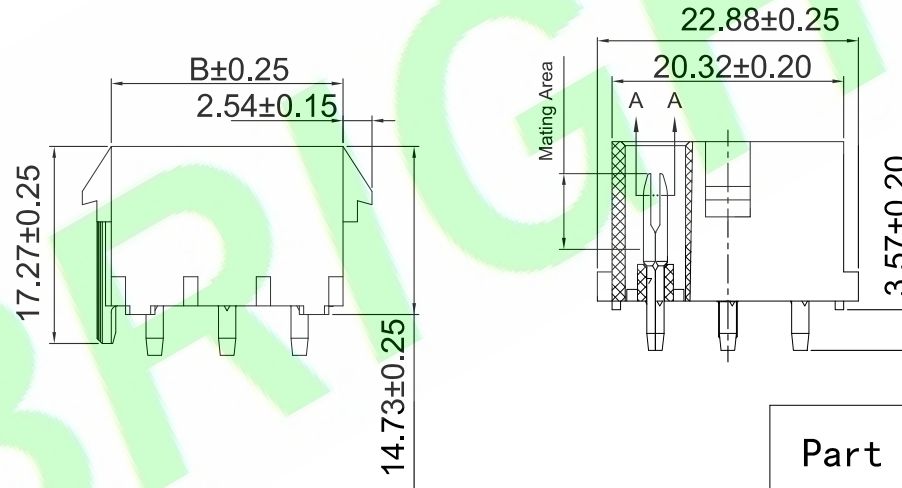
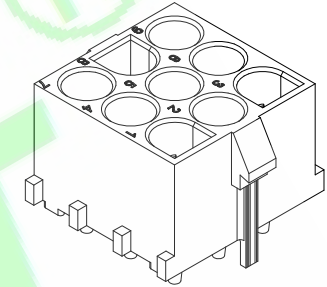
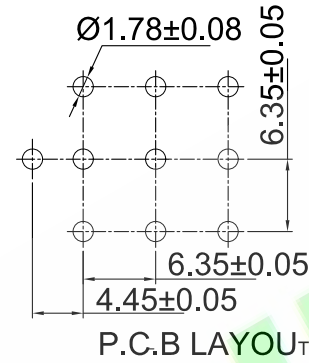
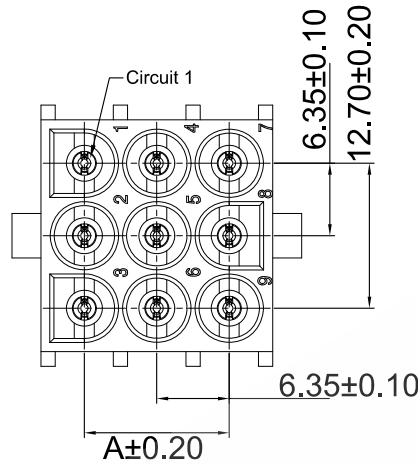
Specifications:
 Material And Finish:
 Insulator:Nylon66
 Contact:Brass
 Plated:See Ordering Information

Rating:
 Current Rating:13.5 Amp(12AWG)
 Voltage Rating:600V AC/DC
 Operating Temperature Range:-40~+105°C

Electrical:
 Contact resistance:3.5m Ohm Max
 Insulator resistance:1000M ohm min.
 Withstanding Voltage:2900V AC/Minute

Ordering Information
 A63513SM-XXQ-01-XXA
 1 23 45 678

- 1:— Series No.
- 2:— S: Straight Type
- 3:— M: Male
- 4:— No. of Positions
- 5:— Q: Plated Tin
- 6:— A: PA66 UL94 V0
 B: PA66 UL94 V2
- 7:— B: Black
 N: Natural
- 8:— A: In Bag



Part No.	Dimensions (mm)	
	A	B
06P	6.35	13.97
09P	12.70	20.32
12P	19.05	26.67
15P	25.40	33.02

2X	Update code options	Judyyan	20260610
1X	ORIGINAL	Samson	
REV.	DESCRIPTION	DR.BY	ECN. NO.

DR.BY.: Samson	GENERAL TOLERANCE:		PART NO : A63513SM-XXQ-01-XXA
CHKD.: Kenry	LINEAR	ANGLES	DWG. NO.: A63511S-XXX-03-X
	X.: ±0.30	X': ±5.0°	TITLE :
	X.X: ±0.20	X.X': ±3.0°	6.35mm Pitch Wafer Straight Type
	X.XX: ±0.15	X.XX': ±2.0°	DATE: 04-Jun-2015
APPD.: Billy	X.XXX: ±0.10	X.XXX': ±1.0°	

DR.BY.: Samson	GENERAL TOLERANCE:		PART NO : A63513SM-XXQ-01-XXA
CHKD.: Kenry	LINEAR	ANGLES	DWG. NO.: A63511S-XXX-03-X
	X.: ±0.30	X': ±5.0°	TITLE :
	X.X: ±0.20	X.X': ±3.0°	6.35mm Pitch Wafer Straight Type
	X.XX: ±0.15	X.XX': ±2.0°	DATE: 04-Jun-2015
APPD.: Billy	X.XXX: ±0.10	X.XXX': ±1.0°	

HJBRIGHT® 東莞市華晶電子有限公司
 BRIGHT-E ELECTRONIC TECHNOLOGY LIMITED

SHEET: 1/1
 SCALE: 1:1
 UNIT: mm

THIRD ANGLE PROJECTION

A4