

RoHS Compliant

Specifications:

Material:

Insulator: PA66 Color: Natural

Contact: Brass

Plated: Tin Plated

Rating:

Current Rating: 19 Amp

Voltage Rating: 600V AC/DC

Operating Temperature Range: -55~+105°C

Electrical:

Contact resistance: 3.5m Ohm Max

Insulator resistance: 1000M ohm min.

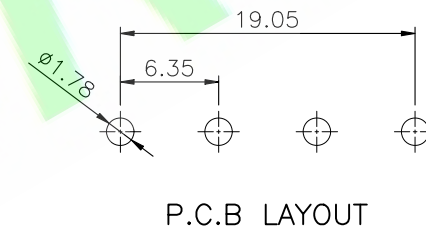
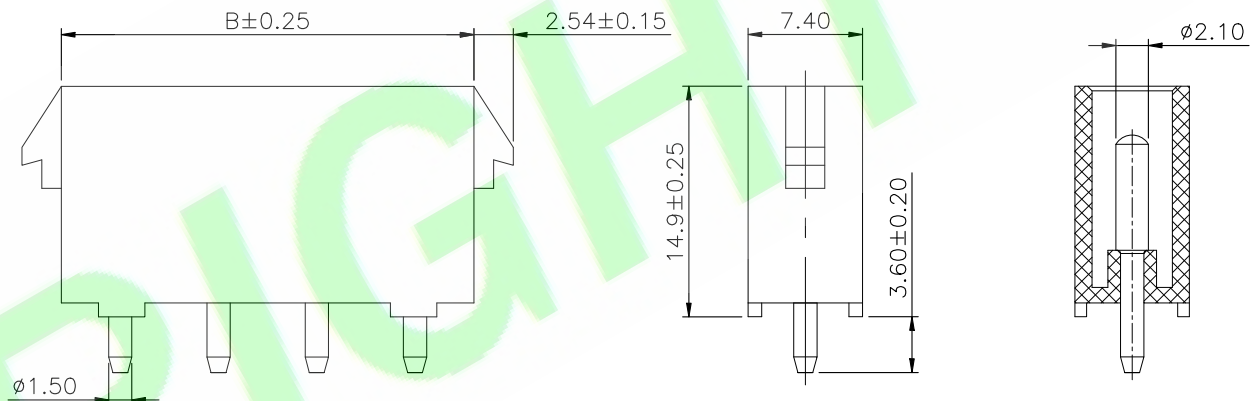
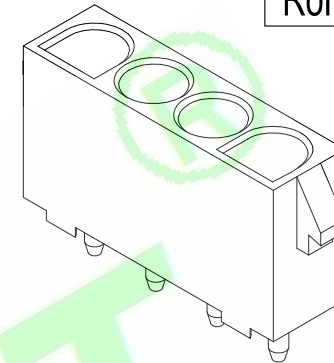
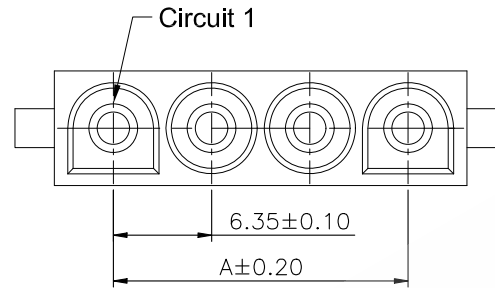
Withstanding Voltage: 5000V AC/Minute

Ordering Information

A6351SM-XXX-02-XA

1 23 45 67

- 1: — Series No.
- 2: — S: Straight Type
- 3: — M: Male
- 4: — No. of Positions
- 5: — Q: Plated Tin
- 6: — A: PA66 UL94V-0
B: PA66 UL94V-0
- 7: — A: In Bag



Poles	Dimensions (mm)	
	A	B
2P	6.35	13.97
3P	12.70	20.82
4P	19.05	26.67
5P	25.40	33.02
6P	31.75	39.37
8P	44.45	52.07

2X	Update option code	Judyyan	20221028
1X	ORIGINAL	Samson	
REV.	DESCRIPTION	DR.BY	ECN. NO.

DR.BY.: Samson	GENERAL TOLERANCE:		PART NO : A6351SM-XXX-02-XA
CHKD.: Tony	LINEAR	ANGLES	DWG. NO.:
APPD.: Billy	x.: ±0.30	x': ±5.0°	TITLE :
	x.x: ±0.20	x.x': ±3.0°	6.35mm Pitch Wafer
	x.xx: ±0.15	x.xx': ±2.0°	DATE: 23-Oct-2013
	x.xxx: ±0.10	x.xxx': ±1.0°	

HJBRIGHT 東莞市華晶電子有限公司
BRIGHT-E ELECTRONIC TECHNOLOGY LIMITED

SHEET: 1/1
SCALE: 1:1
UNIT: mm

THIRD ANGLE PROJECTION

A4