

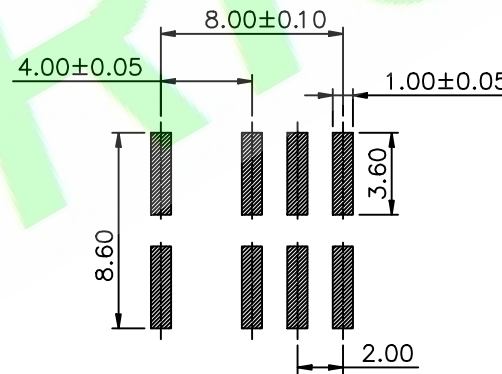
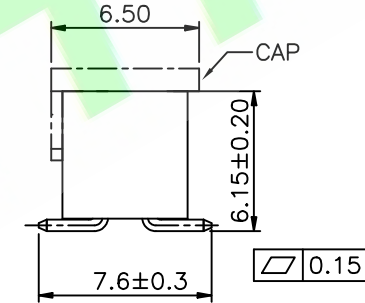
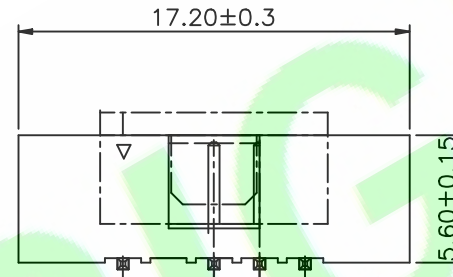
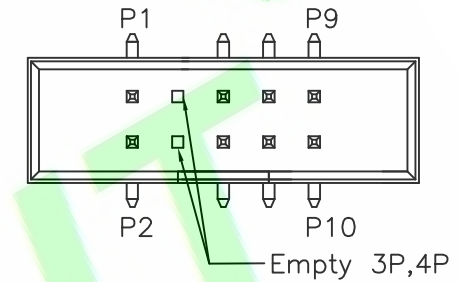
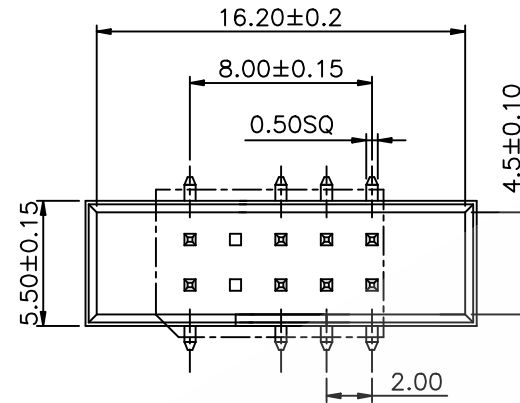
Specifications:  
 Material And Finish:  
 Insulator:PA9T UL94V-0 Color:Black  
 Contact:Brass  
 Plated:See Ordering Information

Rating:  
 Current Rating:2.0 Amp  
 Voltage Rating:150V AC/DC  
 Operating Temperature Range:-40°~+105°C

Electrical:  
 Contact resistance:30m Ohm Max  
 Insulator resistance:1000M ohm min.  
 Withstanding Voltage:500V AC/Minute

Ordering Information  
**B2001M-10X-06-GX-E2**  
 1 2 3 4 5 6

- 1: — Series No.
- 2: — M:SMT Type
- 3: — No. of Positions
- 4: — A:Gold Flash  
M:Matte Tin Plated
- 5: — A:In bag  
B:In Tube  
C:Tray  
F:W/Cap In Tape&Reel
- 6: — Empty 2PIN

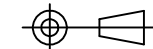


Recommended PCB Layout

DR.BY.: Judyyan	GENERAL TOLERANCE:		PART NO : B2001M-10X-06-GX-E2
CHKD.: Tony	LINEAR	ANGLES	DWG. NO.:
APPD.: Billy	x.: ±0.30	x': ±5.0°	TITLE : 2.0mm Pitch Box Header SMT Type Empty 2PIN
	x.x: ±0.20	x.x': ±3.0°	DATE: 9-Feb-2017
	x.xx: ±0.15	x.xx': ±2.0°	
	x.xxx: ±0.10	x.xxx': ±1.0°	

**HJBRIGHT** 東莞市華晶電子有限公司  
 BRIGHT-E ELECTRONIC TECHNOLOGY LIMITED

SHEET: 1/1  
 SCALE: 1:1  
 UNIT: mm



THIRD ANGLE PROJECTION

A4

1X	ORIGINAL	Judyyan	
REV.	DESCRIPTION	DR.BY	ECN. NO.