

Specifications:  
 Material And Finish:  
 Insulator:LCP UL94V-0  
 Color:Black  
 Contact:Phosphor Bronze  
 Plated:See Ordering Information

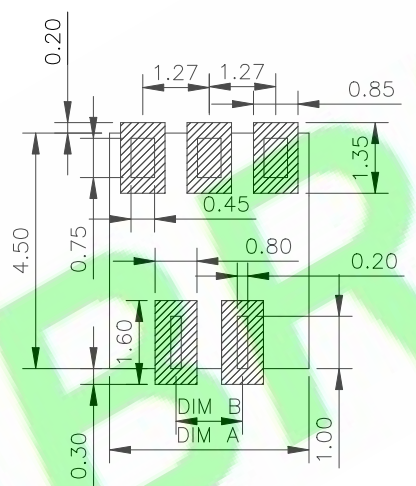
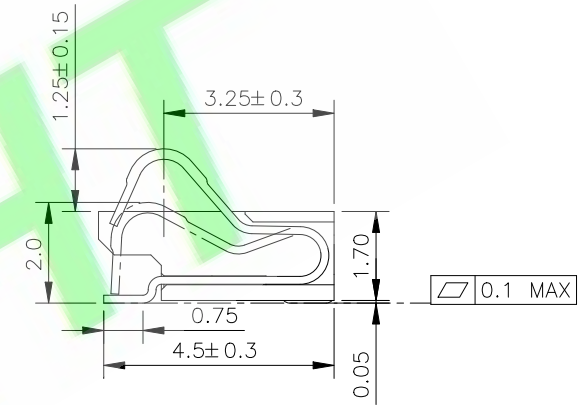
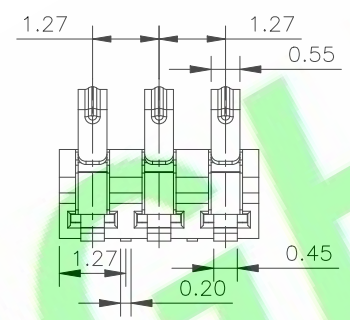
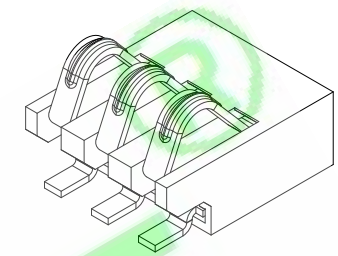
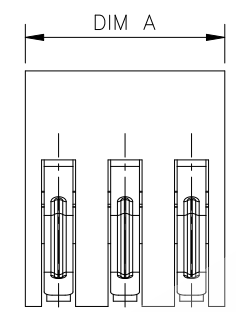
Rating:  
 Current Rating:1.0 Amp  
 Voltage Rating : 12V  
 Operating Temperature Range:-40~+105°C

Electrical:  
 Contact resistance:30m Ohm Max  
 Insulator resistance:500M ohm min.  
 Withstanding Voltage:500V Minute

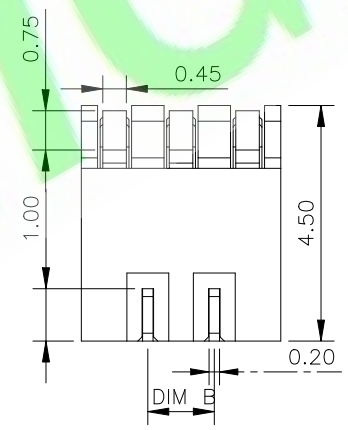
**Ordering Information**

BC127H-XXXF-01-X  
 1 2 3 4 5

- 1: Series No.
- 2: H:Horizontal SMT Type
- 3: No. of Positions
- 4: A:Gold Flash  
Q:Tin Plated
- 5: F:Female
- 6: A:In bag  
B:In Tube  
C:In Tray



RECOMMENDED PCB LAYOUT  
 TOP VIEW(.XX±0.05)



Circuits	Dimensions	
	DIMA	DIMB
02P	2.54	
03P	3.81	1.27
04P	5.08	2.54
05P	6.35	3.81
06P	7.62	5.08

DR.BY.: XIAO	GENERAL TOLERANCE:		PART NO : BC127H-XXXF-01-X
CHKD.: Judyyan	LINEAR	ANGLES	DWG. No.:
APPD.: Billy	x.: ±0.30	x: ±5.0°	TITLE : 1.27 mm Pitch Battery Horizontal SMT Type Female connectors
	x.x: ±0.20	x.X: ±3.0°	DATE: 18-Mar-2024
	x.xx: ±0.15	x.XX: ±2.0°	
	x.xxx: ±0.10	x.XXX: ±1.0°	

**HJBRIGHT®** 東莞市華晶電子有限公司  
 BRIGHT-E ELECTRONIC TECHNOLOGY LIMITED

SHEET: 1/1  
 SCALE: 1:1  
 UNIT: mm

THIRD ANGLE PROJECTION

**A4**

1X	ORIGINAL	XIAO	
	DESCRIPTION	DR.BY	ECN. NO