

RoHS Compliant



Specifications:

Material And Finish:
 Insulator:PBT UL94V-0 Color:Black
 Contact:Phosphor Bronze
 Plated:See Ordering Information

Rating:

Current Rating:6 Amp
 Voltage Rating:30V AC/DC
 Operating Temperature Range:-25~+85°C

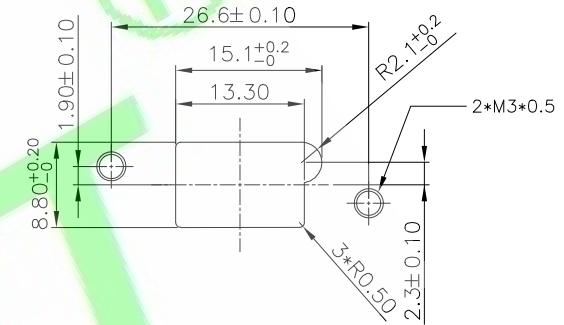
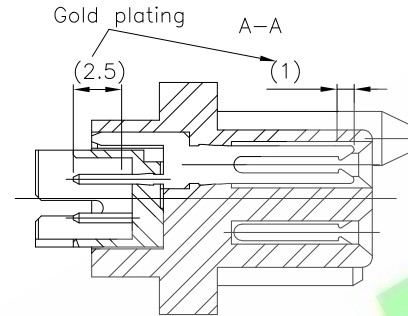
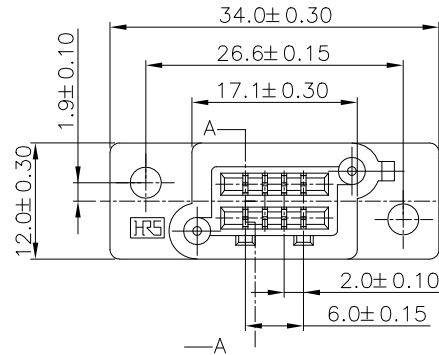
Electrical:

Contact resistance:50m Ohm Max
 Insulator resistance:1000M ohm min.
 Withstanding Voltage:1000V AC/Minute

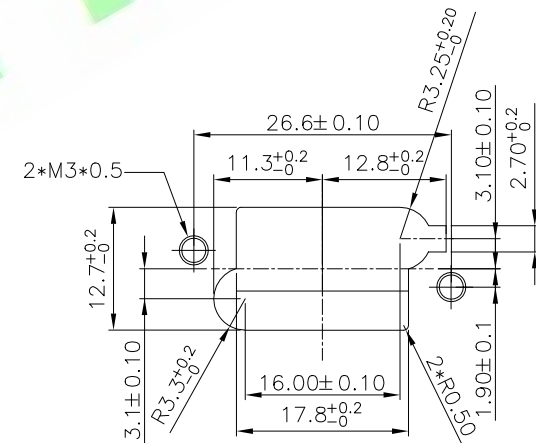
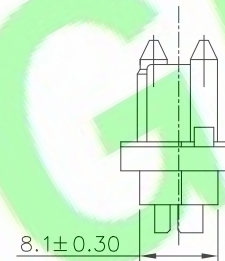
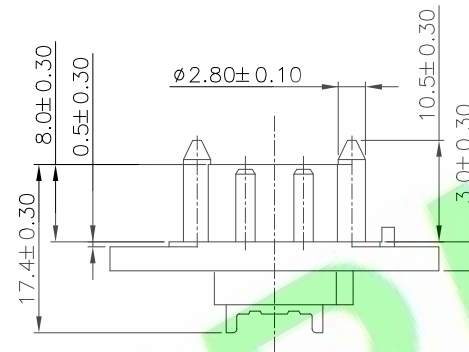
Ordering Information

BM2001S-08A8F-01-X
 1 2 3 4 5 6

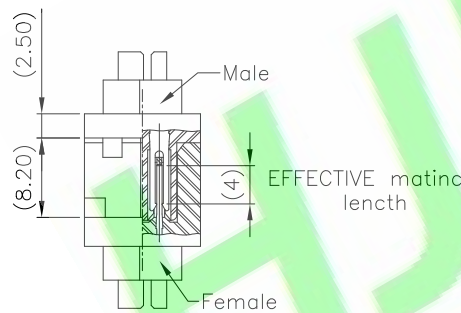
- 1: Series No.
- 2: S: Straight Type
- 3: No. of Positions
- 4: A8:0.2μm min Gold on contact;
Under Nickel Plating 0.8μm min
- 5: F: Female
- 6: A: In bag
B: In Tube
C: In Tray



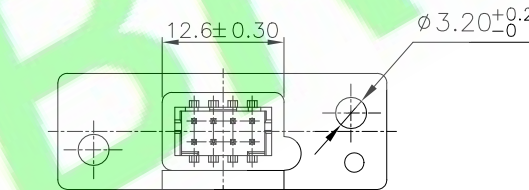
Panel cutout, front mount
 (APPlieadle panel thickness t=3 max)
 Effective screw ared shall be 1. 5mm min.



Panel cutout, rear mount
 (APPlieadle panel thickness t=3 max)
 Effective screw ared shall be 1. 5mm min.



Male Female Mating drawing



DR.BY.: Xiao	GENERAL TOLERANCE:		PART NO : BM2001S-08A8F-01-X	
CHKD.: Judyyan	LINEAR	ANGLES	DWG. NO.:	
APPD.: Billy	x.: ±0.30	x': ±5.0°	TITLE : 2.0mm Pitch Female Straight Type	
ECN. NO.	x.x: ±0.20	x.x': ±3.0°	DATE: 17-Jan-2026	
	x.xx: ±0.15	x.xx': ±2.0°		
	x.xxx: ±0.10	x.xxx': ±1.0°		

HJBRIGHT® 東莞市華晶電子有限公司
 BRIGHT-E ELECTRONIC TECHNOLOGY LIMITED

SHEET: 1/1
 SCALE: 1:1
 UNIT: mm

THIRD ANGLE PROJECTION

A4

1X	ORIGINAL	Xiao	
REV	DESCRIPTION	DR.BY	ECN. NO.