

Specifications:

Material And Finish:
 Insulator:PBT UL94V-0 Color:Black
 Contact:Phosphor Bronze
 Plated:See Ordering Information

Rating:

Current Rating:6 Amp
 Voltage Rating:30V AC/DC
 Operating Temperature Range:-25~ +85°C

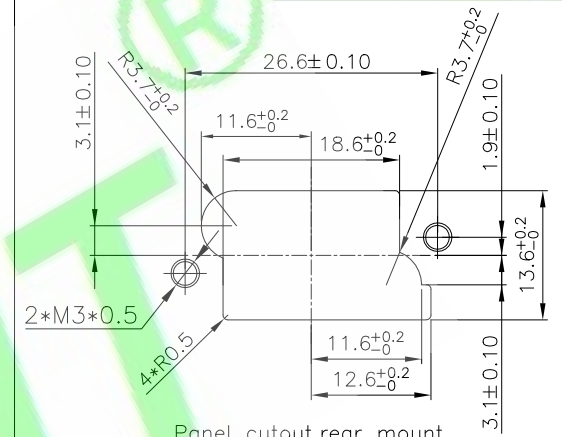
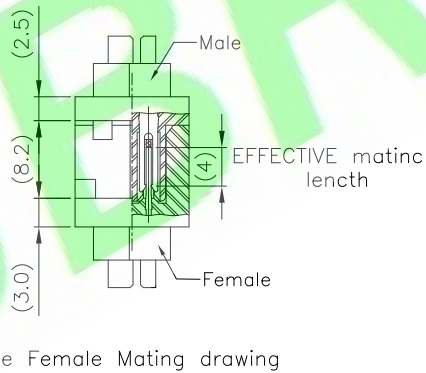
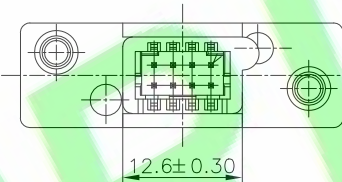
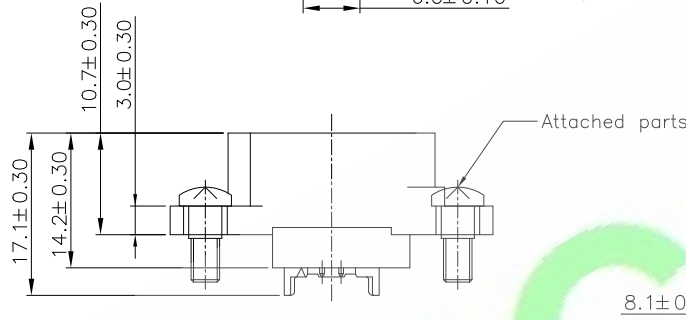
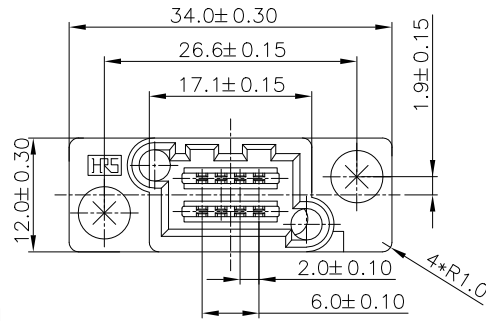
Electrical:

Contact resistance:50m Ohm Max
 Insulator resistance:1000M ohm min.
 Withstanding Voltage:1000V AC/Minute

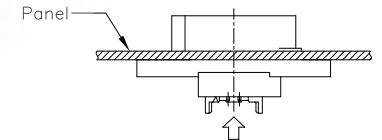
Ordering Information

BM2001S-08A8M-01-X
 1 2 3 4 5 6

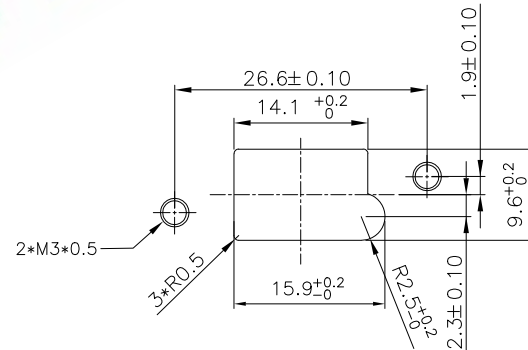
- 1: Series No.
- 2: S: Straight Type
- 3: No. of Positions
- 4: A8: 0.2 μm min Gold on contact; Under Nickel Plating 0.8 μm min
- 5: M: Male
- 6: A: In bag
 B: In Tube
 C: In Tray



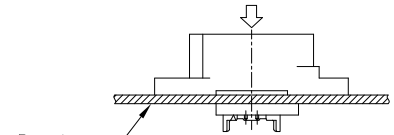
Panel cutout, rear mount
 (APPLiceadle panel thickness t=3 max)



Connector moniting direction
 Effective screw ared shall be 1.5mm min.



Connector moniting direction



Panel cutout, front mount
 (APPLiceadle panel thickness t=3 max)
 Effective screw ared shall be 1.5mm min.

DR.BY.: Xiao	GENERAL TOLERANCE:		PART NO : BM2001S-08A8M-01-X	
CHKD.: Judyyan	LINEAR	ANGLES	DWG. NO.:	
APPD.: Billy	x.: ±0.30	x': ±5.0°	TITLE :	
	x.x: ±0.20	x.x': ±3.0°	2.0mm Pitch Male Straight Type	
	x.xx: ±0.15	x.xx': ±2.0°	DATE: 17-Jan-2026	
	x.xxx: ±0.10	x.xxx': ±1.0°		

HJBRIGHT® 東莞市華晶電子有限公司
 BRIGHT-E ELECTRONIC TECHNOLOGY LIMITED

1X	ORIGINAL	Xiao	
REV	DESCRIPTION	DR.BY	ECN. NO

SHEET: 1/1
 SCALE: 1:1
 UNIT: mm
 THIRD ANGLE PROJECTION
A4