

Specifications:

Material And Finish:

Insulator:PBT+30% G.F. UL94V-0

Contact:Copper Alloy

Plated:See Ordering Information

Rating:

Current Rating:1.0 Amp

Voltage Rating:100V AC/DC

Operating Temperature Range:-40°~+105°C

Electrical:

Contact resistance:20m Ohm Max

Insulator resistance:1000M ohm min.

Withstanding Voltage:1000V AC/Minute

Ordering Information

CS2542S-XXX-01-X

1 2 3 4 5

1: — Series No.

2: — S: Straight type

3: — No. of Positions

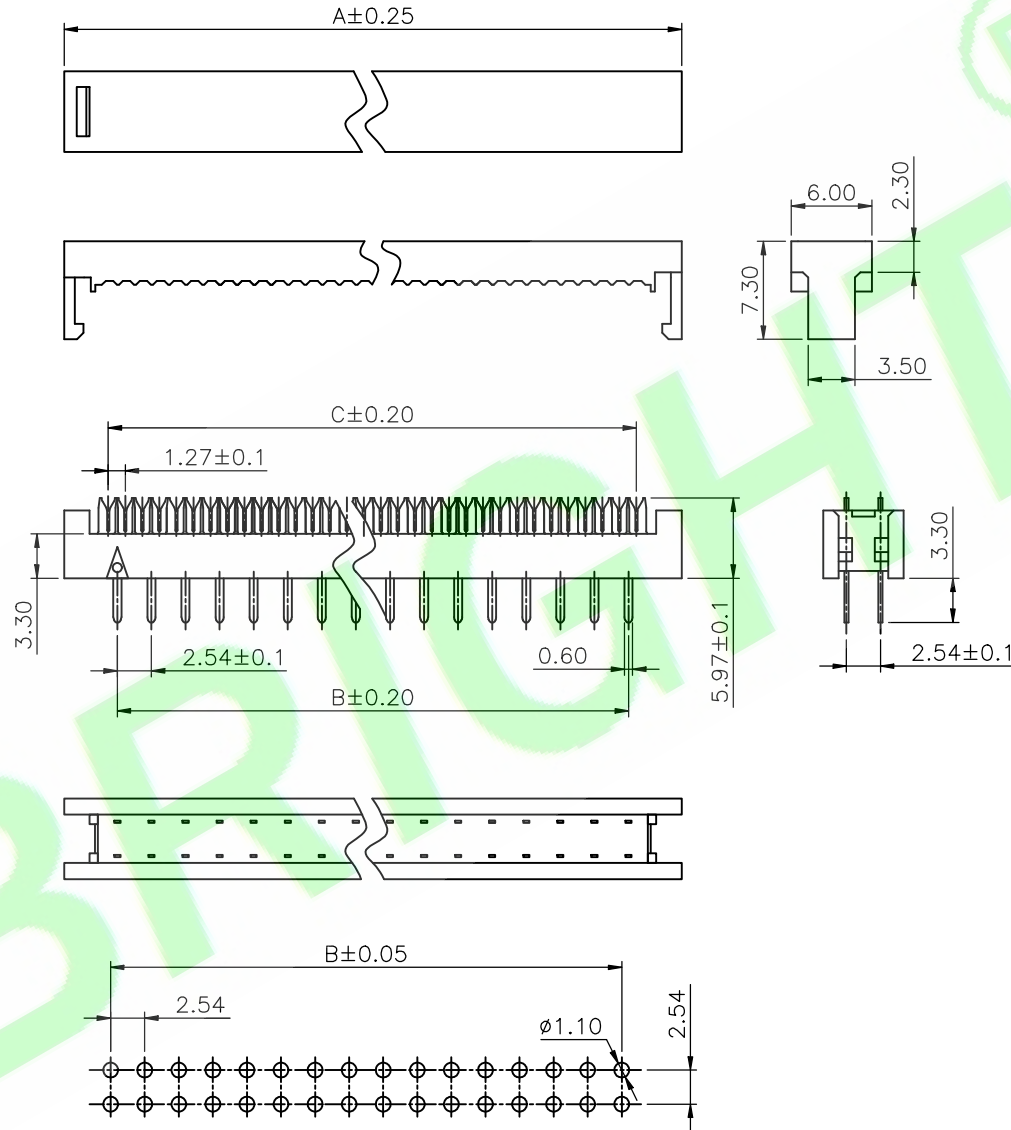
4: — Q: Tin Plated

H: Contact Area: Gold Flash

Soldertail: Tin 100u”

5: — B: In Tube

C: In Tray



No.	A	B	C
06	13.07	5.08	6.35
08	15.61	7.62	8.89
10	18.15	10.16	11.43
12	20.69	12.70	13.97
14	23.23	15.24	16.51
16	25.77	17.78	19.05
18	28.31	20.32	21.59
20	30.85	22.86	24.13
24	35.93	27.94	29.21
26	38.47	30.48	31.75
30	43.55	35.56	36.83
34	48.63	40.64	41.91
36	51.17	43.18	44.45
40	56.25	48.26	49.53
50	68.95	60.96	62.23
60	81.65	73.66	74.93
64	86.73	78.74	80.01

Recommended PCB Layout

REV.	DESCRIPTION	DR.BY	ECN. NO.
3X	Update code option	Judyyan	20230409
2X	Change Dim C to B	joy chen	20151023
1X	ORIGINAL	joy chen	

DR.BY:	GENERAL TOLERANCE:	
	LINEAR	ANGLES
joy chen	x.: ±0.30	x': ±5.0°
CHKD.: Tony	x.x: ±0.20	x.x': ±3.0°
APPD.: Billy	x.xx: ±0.15	x.xx': ±2.0°
	x.xxx: ±0.10	x.xxx': ±1.0°

PART NO. : CS2542S-XXX-01-X
DWG. NO.: CP2541-XXQ-01-X
TITLE : 2.54mm Pitch IDC Plug Dip Type
DATE: 21-Jan-2009

**HJBRIGHT**® 東莞市華晶電子有限公司  
BRIGHT-E ELECTRONIC TECHNOLOGY LIMITED

SHEET: 1/1  
SCALE: 1:1  
UNIT: mm

THIRD ANGLE PROJECTION

**A4**