

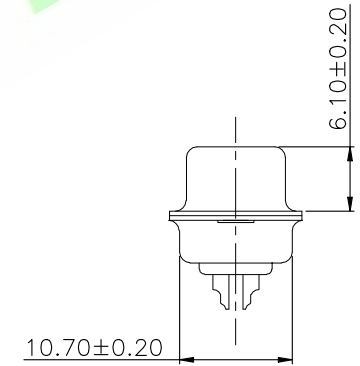
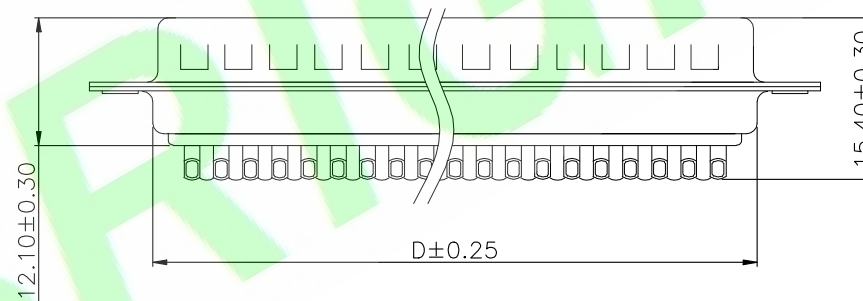
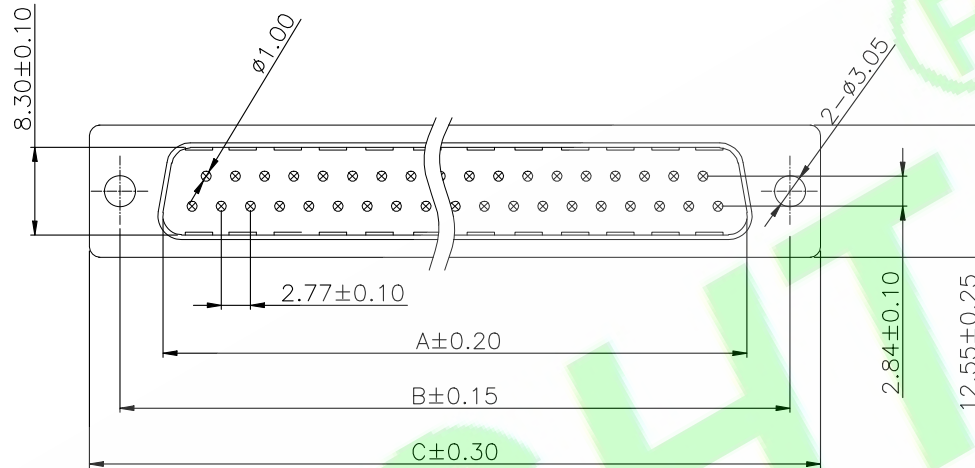
Specifications:
 Material And Finish:
 Insulator:PBT UL94V-0 Color:Black/White
 Contact:Brass
 Shell:Steel With Nickel Plated.
 Plated:See Ordering Information

Rating:
 Current Rating:5.0 Amp
 Operating Temperature Range:-55~+105°C

Electrical:
 Contact resistance:30m Ohm Max
 Insulator resistance:5000M ohm min.
 Withstanding Voltage:1000V AC/Minute

Ordering Information
 DB06S-XXMX-01-XHX
 1 2 3 4 5 6 7 8

- 1: — Series No.
- 2: — S: Straight Type
- 3: — No. of Positions
- 4: — M: Male
- 5: — H: Selective Gold Plated
 J: 1u" Gold on contact; Tin on tail
 V: 3u" Gold on contact; Tin on tail
 W: 5u" Gold on contact; Tin on tail
- 6: — A: In Bag
 C: In Tray
- 7: — H: 48 hours Salt Spray
- 8: — W: White
 (The absence of this code indicates black)



P/N	A	B	C	D
DB06S-09MX-01-X	16.90	24.99	30.80	19.30
DB06S-15MX-01-X	25.25	33.32	39.20	27.60
DB06S-25MX-01-X	38.96	47.04	53.10	41.10
DB06S-37MX-01-X	55.42	63.50	69.34	57.30

3X	Update plating code options	Judyyan	20250421
2X	Update the position of drawing annotation	Judyyan	20240130
1X	ORIGINAL	Jack	
REV.	DESCRIPTION	DR.BY	ECN. NO.

DR.BY.: Jack	GENERAL TOLERANCE:	
CHKD.: Kenry	LINEAR	ANGLES
APPD.: Billy	X.: ±0.38	X': ±5.0°
	X.X: ±0.35	X.X': ±3.0°
	X.XX: ±0.25	X.XX': ±2.0°
	X.XXX: ±0.13	X.XXX': ±1.0°

PART NO : DB06S-XXMX-01-XHX
DWG. NO.:
TITLE : D-SUB Male Straight Type
DATE: 3-Mar-2015

HJBRIGHT® 東莞市華晶電子有限公司
 BRIGHT-E ELECTRONIC TECHNOLOGY LIMITED

SHEET: 1/1
 SCALE: 1:1
 UNIT: mm

THIRD ANGLE PROJECTION

A4