

Specifications:

Material And Finish:

Contacts:Brass

Insulator: PBT Or High Temperature Plastic
UL 94V-0 Rated.

Shell:Cold Roller Steel.

Finishes:

Contact:Gold Flash.

Shell:Nickel Plated.

Contact Insertion Force:341 g.Maximum.

Contact Separation Force:21 g.Minimum

Rating:

Current Rating:3 Amps

Operating Temperature Range:-55~+105°C

Electrical:

Contact resistance:25 Milliohms MAX

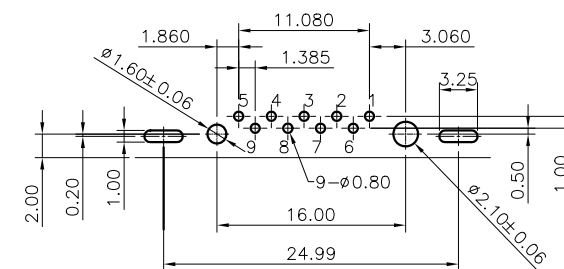
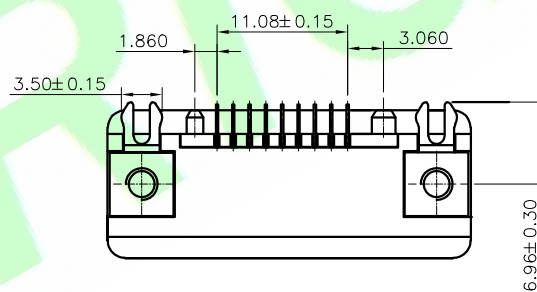
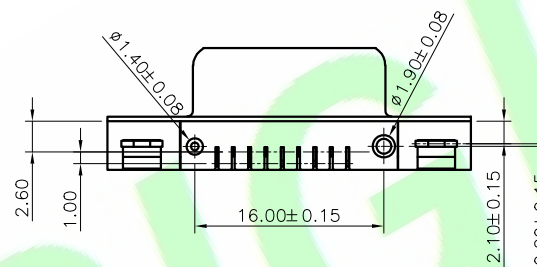
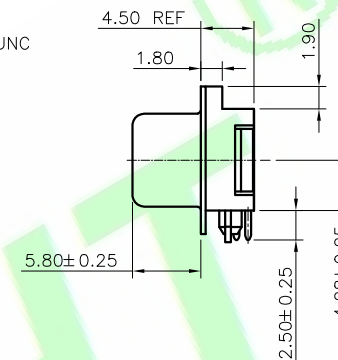
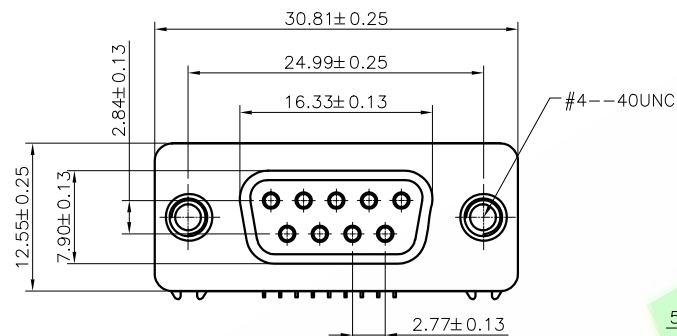
Insulator resistance:1000 Megohms Minimum.at DC 500V

Withstanding Voltage:1000V AC/Minute

Ordering Information

DB104R1-09MA-01-X
1 2 3 4 5 6

- 1: Series No.
- 2: R:R/A Type
- 3: No. of Positions
- 4: M:Male
- 5: A:Gold Flash
- 6: B :In Tube
C :In Tray



PCB Layout

DR.BY.: JoinZm	GENERAL TOLERANCE:		PART NO : DB104R1-09MA-01-X	
CHKD.: Judyyan	LINEAR	ANGLES	DWG. NO.:	
APPD.: Billy	x.: ±0.38	x: ±2.0°	TITLE :	
	x.x: ±0.35	x.X: ±1.0°	D-SUB Sunk-Board Type Ultra-Thin 9P Male Connector With a 90-Degree Angle	
	x.xx: ±0.25	x.XX: ±0.5°	DATE: 30-Dec-2020	
	x.xxx: ±0.15	x.XXX:		

HJBRIGHT 东莞市華晶電子有限公司
BRIGHT-E ELECTRONIC TECHNOLOGY LIMITED

SHEET: 1/1
SCALE: 1:1
UNIT: mm



THIRD ANGLE PROJECTION

A4

1X	ORIGINAL	JoinZm	
REV.	DESCRIPTION	DR.BY	ECN. NO