

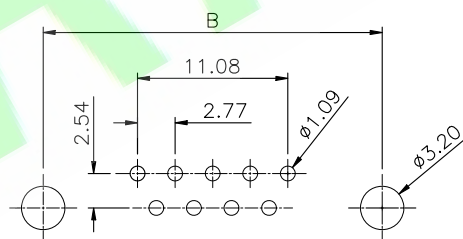
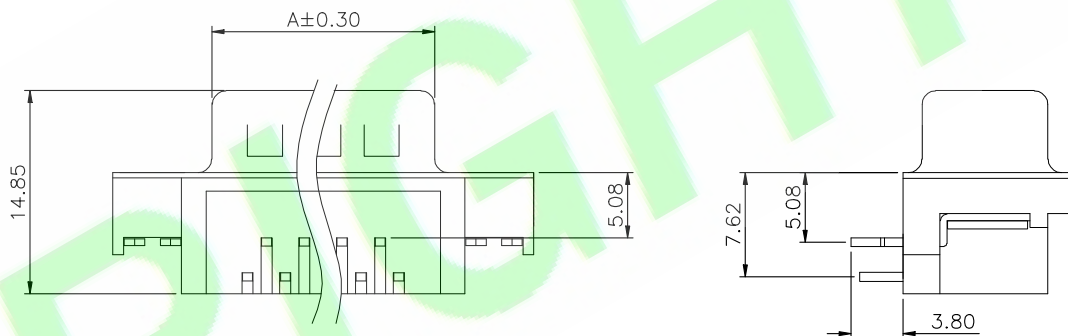
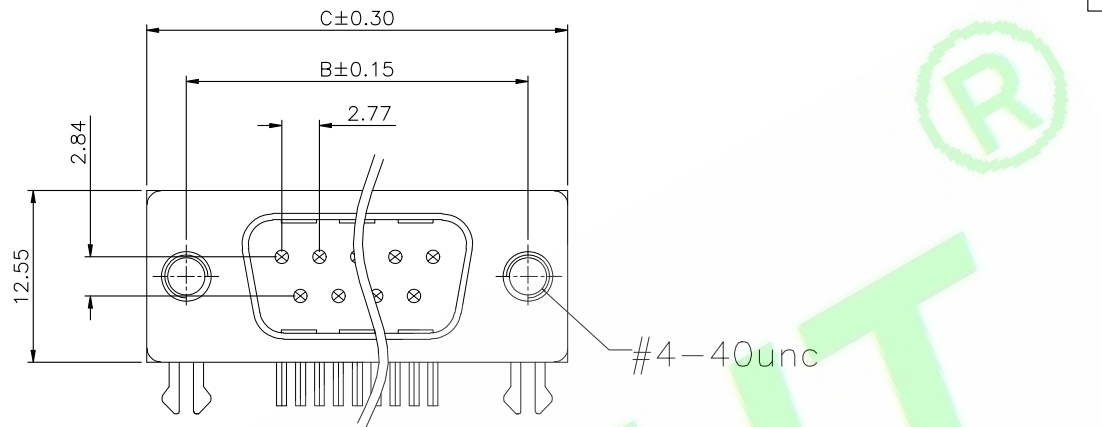
Specifications:
 Material And Finish:
 Insulator:PBT+30%GF UL94V-0 ,Color:Green
 Contact:Brass
 Shell:Steel With Nickel Plated.
 Plated:See Ordering Information

Rating:
 Current Rating:5 Amp
 Operating Temperature Range:-55~+105°C

Electrical:
 Contact resistance:25m Ohm Max
 Insulator resistance:5000M ohm min.
 Withstanding Voltage:500V AC/Minute

Ordering Information
 DB174R-XXMX-01-XH
 1 2 3 4 5 6

- 1: — Series No.
- 2: — R:R/A Type
- 3: — No. of Positions
- 4: — M:Male
- 5: — 5:Selective Gold Plated
 A:Contact Gold flash
 S:Matte Tin Plated
 Q:Tin Plated
- 6: — A:In Bag
 C:In Tray



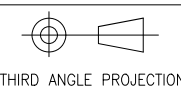
PCB LAYOUT

PIN	A	B	C
09	16.90	24.99	30.80
15	25.25	33.30	39.20
25	38.96	47.04	53.10
37	55.42	63.50	69.34

DR.BY.: Judyyan	GENERAL TOLERANCE:		PART NO : DB174R-XXMX-01-XH
CHKD.: Sam	LINEAR	ANGLES	DWG. NO.:
APPD.: Billy	X.: ±0.38	X': ±5.0°	TITLE : DP Male Bolted type 5.08mm
ECN. NO.	X.X: ±0.35	X.X': ±3.0°	DATE: 16-May-2024
	X.XX: ±0.25	X.XX': ±2.0°	
	X.XXX: ±0.15	X.XXX': ±1.0°	

HJBRIGHT® 東莞市華晶電子有限公司
 BRIGHT-E ELECTRONIC TECHNOLOGY LIMITED

SHEET: 1/1
 SCALE: 1:1
 UNIT: mm



A4

1X	ORIGINAL	Judyyan	
REV.	DESCRIPTION	DR.BY	ECN. NO.