

Specifications:

Material And Finish:  
 Insulator:LCP UL94V-0 Color:Nature  
 Sliider:Nylon6T+30%GF. UL94V-0 Color:Black  
 Contact:Phosphor Bronze  
 Fixed tab: Brass with Tin plated  
 Plated:See Ordering Information

Rating:

Current Rating:1.0 Amp  
 Voltage Rating:100V AC/DC  
 Operating Temperature Range:-40~+125°C

Electrical:

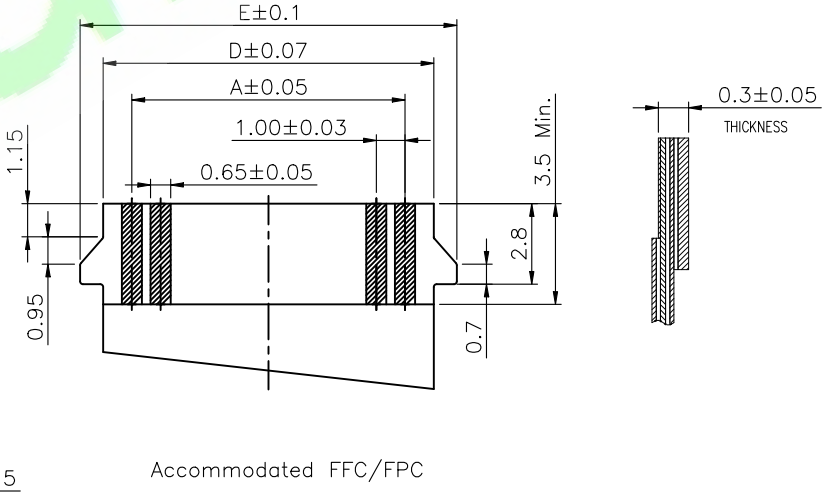
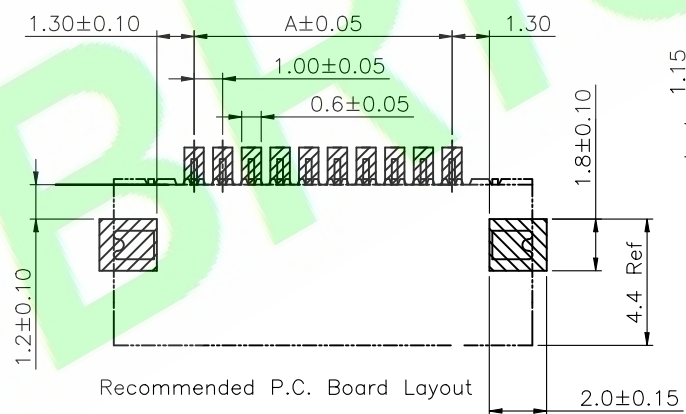
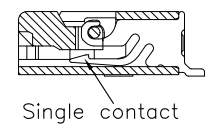
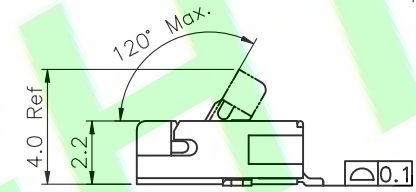
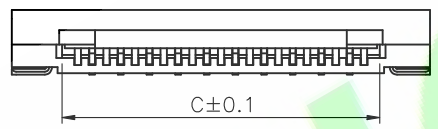
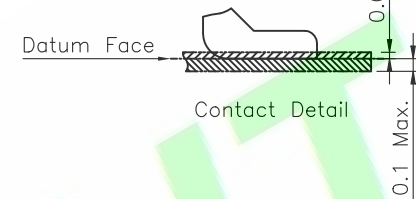
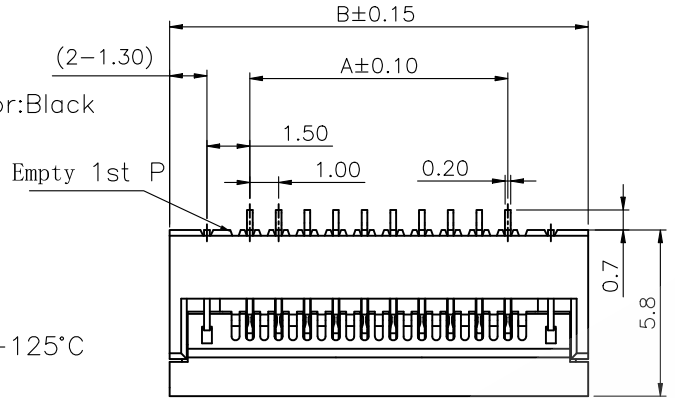
Contact resistance:20m Ohm Max  
 Insulator resistance:1000M ohm min.  
 Withstanding Voltage:500V AC/Minute

Ordering Information

F1025H-XXX-02-X-NHA  
 1 2 3 4 5

- 1: — Series No.
- 2: — H:Horizontal SMT Type
- 3: — No. of Positions
- 4: — A:Gold flash  
 S:Matte Tin Plated  
 C:5u" Gold on contact;  
 Gold flash on tail
- 5: — B:In Tube  
 F:Tape&Reel

DIM.A=1.00 X (No. of Spaces-1)  
 DIM.B=DIM.A + 5.6  
 DIM.C=DIM.A + 2.1  
 DIM.D=DIM.A + 2.0  
 DIM.E=DIM.A + 3.75  
 \*Available in 4 through 32 circuits



DR.BY.: Bruce	GENERAL TOLERANCE:		PART NO : F1025H-XXX-02-X-NHA	
CHKD.: Tony	LINEAR	ANGLES	DWG. NO.:	
APPD.: Billy	x.: ±	x':	TITLE : 1.00mm ZIF FFC/FPC ONE-TOUCH CONNECTOR	
	x.x: ±0.15	x.x': ±1°	DATE: 13-Feb-2009	
	x.xx: ±0.10	x.xx':		
	x.xxx: ±0.05	x.xxx':		

**HJBRIGHT**® 東莞市華晶電子有限公司  
 BRIGHT-E ELECTRONIC TECHNOLOGY LIMITED

SHEET: 1/1  
 SCALE: 1:1  
 UNIT: mm

THIRD ANGLE PROJECTION

**A4**

1X	ORIGINAL	Bruce	
REV.	DESCRIPTION	DR.BY	ECN. NO