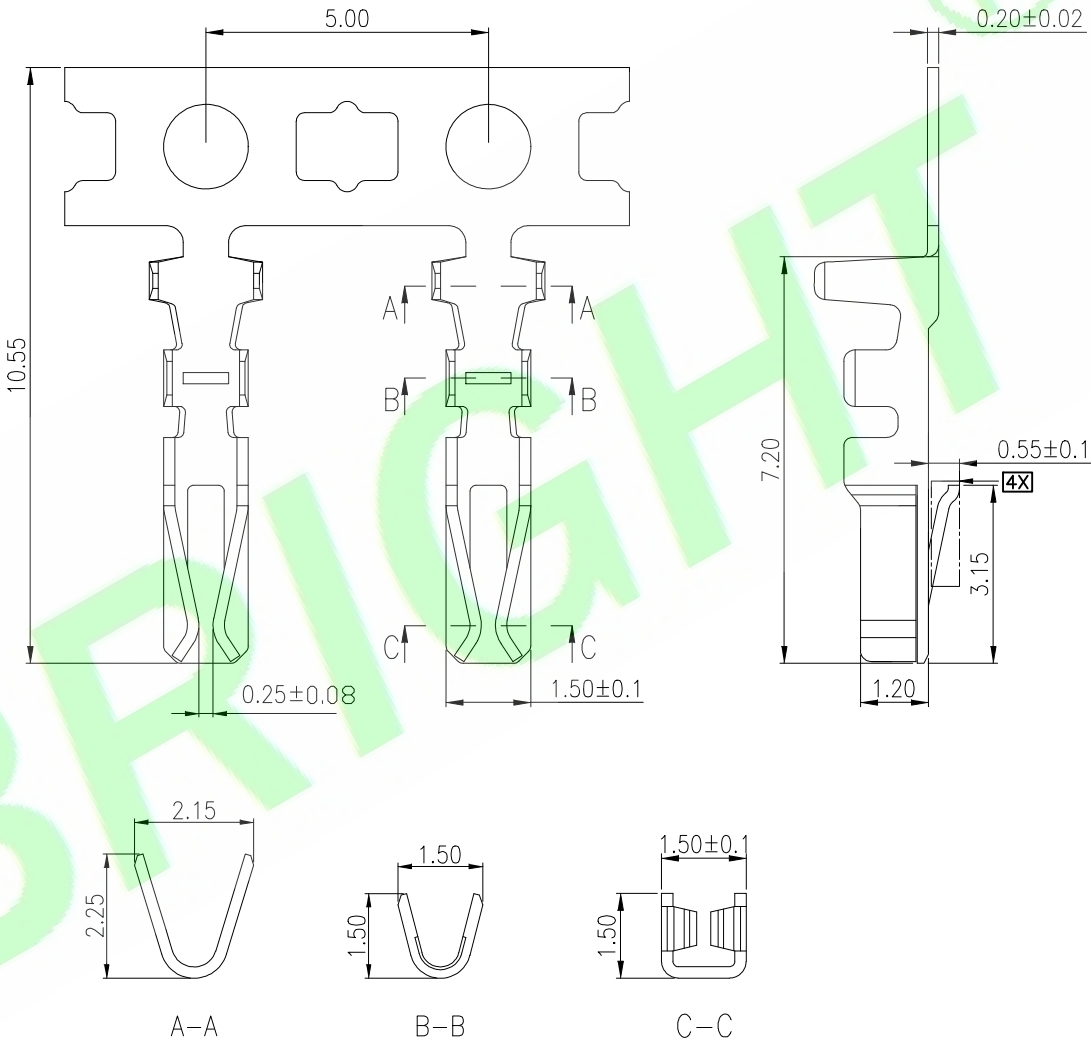


Specifications:
 Material:phosphor bronze
 Wire Range:AWG#22~28
 Insulation O.D.:1.60(max)
 Qty/Reel:10Kpcs

Ordering Information
H20002TF-PQ
 1 23 4

- 1: — Series No.
- 2: — T:Terminal
- 3: — F:Female
- 4: — Q:Plated Tin
 A:Gold Flash



4X	structure optimization	Judyyan	20260228
3X	New section representation	Judyyan	20240802
2X	Update code options	Judyyan	20220826
1X	ORIGINAL	Aaron	
REV	DESCRIPTION	DR.BY	ECN. NO.

DR.BY.: Bruce	GENERAL TOLERANCE:		PART NO : H20002TF-PX
CHKD.: Aaron	LINEAR	ANGLES	DWG. NO.:
APPD.: Billy	x.: ±0.30	x': ±5.0°	TITLE : 2.0mm Pitch B Type Teriminal
	x.x: ±0.20	x.xx: ±3.0°	DATE: 8-Aug-2022
	x.xxx: ±0.10	x.xxx': ±2.0°	

HJBRIGHT® 東莞市華晶電子有限公司
 BRIGHT-E ELECTRONIC TECHNOLOGY LIMITED

SHEET: 1/1
 SCALE: 1:1
 UNIT: mm

THIRD ANGLE PROJECTION

A4