

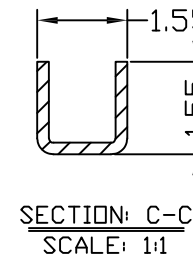
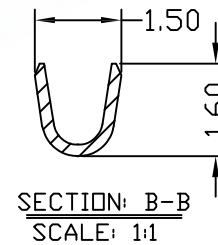
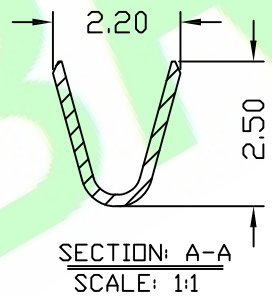
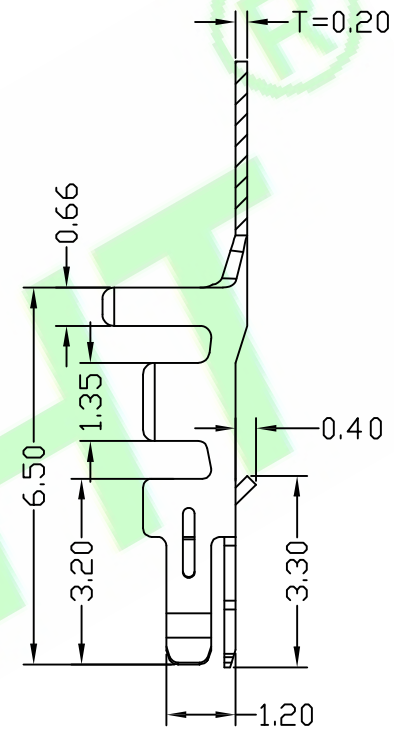
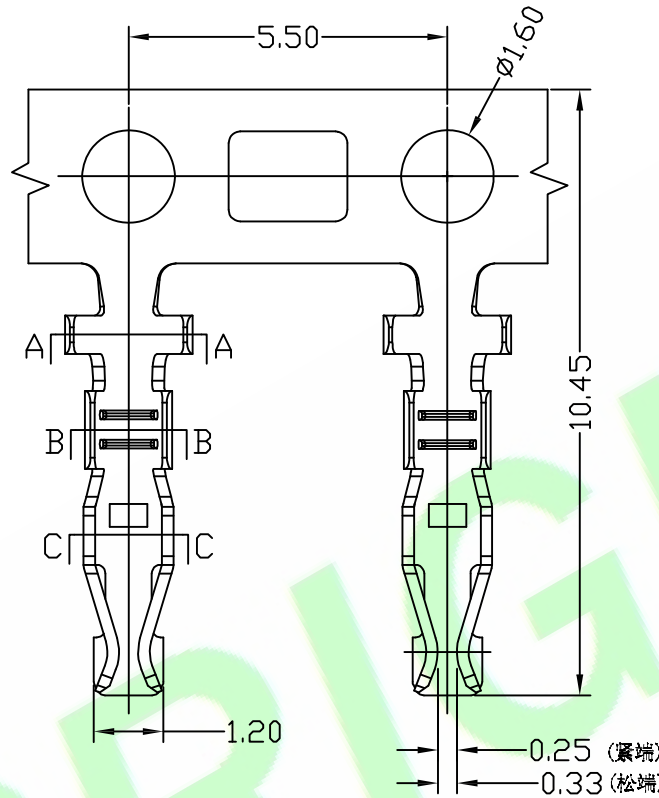
RoHS Compliant

Material:  
Terminal: Phosphor Bronze  
Wire Range: AWG#22~28  
Insulation O.D.: 1.55mm/Max  
Qty/Reel: 10kpcs

Ordering Information  
A20042T-PX-03

1 2 3

- 1: Series No.
- 2: T: Terminal
- 3: A: Glod Flash  
Q: Tin Plated



5X			
4X			
3X			
2X	Update Code options	Judyyan	20221125
1X	ORIGINAL	Samson	
REV.	DESCRIPTION	DR.BY	ECN. NO.

DR.BY.: Samson	GENERAL TOLERANCE:	
CHKD.: Tony	LINEAR	ANGLES
APPD.: Billy	x.: ±0.30	x': ±5.0°
	x.xx: ±0.20	x.x': ±3.0°
	x.xxx: ±0.10	x.xxx': ±2.0°
		x.xxxx': ±1.0°

PART NO : A20042T-PX-03
DWG. NO.:
TITLE : 2.00mm Pitch Hosing Terminal
DATE: 12-Jan-2017

<b>HJBRIGHT</b> ® 东莞市華晶電子有限公司	
BRIGHT-E ELECTRONIC TECHNOLOGY LIMITED	
SHEET: 1/1	 THIRD ANGLE PROJECTION
SCALE: 1:1	
UNIT: mm	
<b>A4</b>	