

Specifications:

Material And Finish:

Insulator: Phosphor Bronze

Rating:

Current Rating: 3.0 Amp (24AWG)

Voltage Rating: 125V AC/DC

Operating Temperature Range: -40°~+105°C

Electrical:

Contact resistance: 20m Ohm Max

Insulator resistance: 1000M ohm min.

Withstanding Voltage: 500V AC/Minute

Wire Range: AWG#22~26

Insulation O.D: 1.50mm Max

Ordering Information

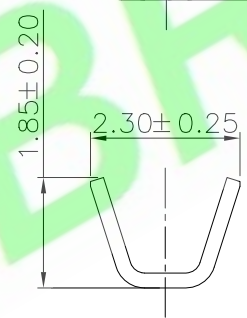
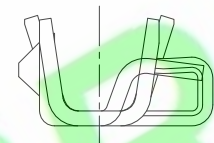
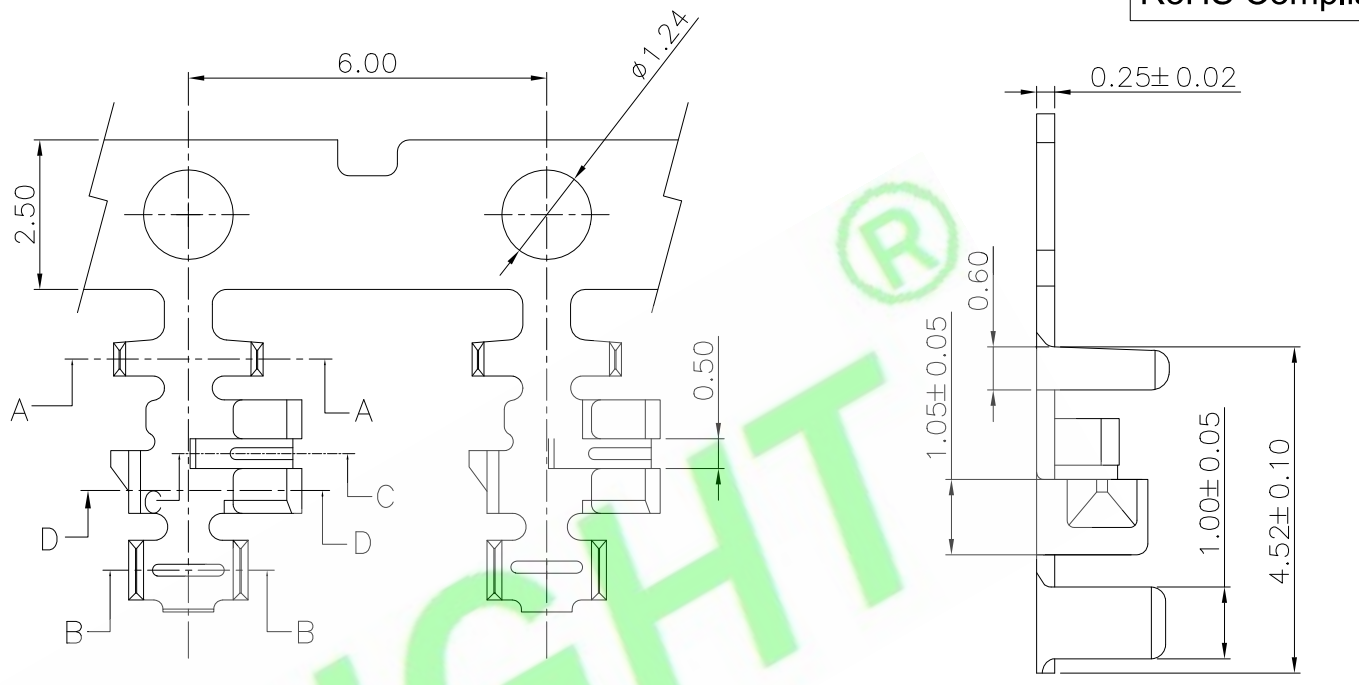
H2013T-PX

1 2 3

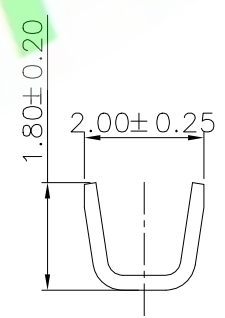
1: — Series No.

2: — T: Terminal

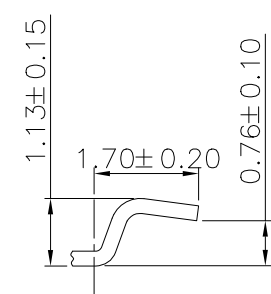
3: — Q: Tin Plated



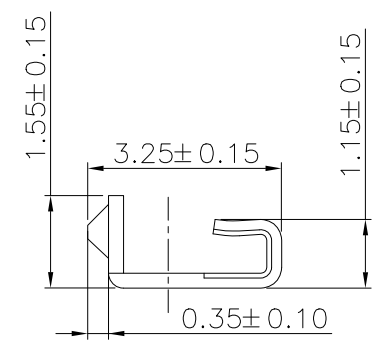
SEC:A-A



SEC:B-B



SEC:C-C



SEC:D-D

3X	Drawing revision	Xiao	20260326
2X	Update code options	Judyyan	20220927
1X	ORIGINAL	Samson	
REV	DESCRIPTION	DR.BY	ECN. NO.

DR.BY:	Samson	GENERAL TOLERANCE:	
CHKD.:	Tony	LINEAR	ANGLES
APPD.:	Billy	x.: ±0.30	x': ±5.0°
		x.x: ±0.20	x.x': ±3.0°
		x.xx: ±0.15	x.xxx': ±2.0°
		x.xxx: ±0.10	x.xxxx': ±1.0°

PART NO :	H2013T-PX
DWG. NO.:	
TITLE :	2.0mm Pitch Terminal
DATE:	28-Nov-2011

HJBRIGHT® 东莞市華晶電子有限公司
BRIGHT-E ELECTRONIC TECHNOLOGY LIMITED

SHEET: 1/1
SCALE: 1:1
UNIT: mm

THIRD ANGLE PROJECTION

A4