

Specifications:

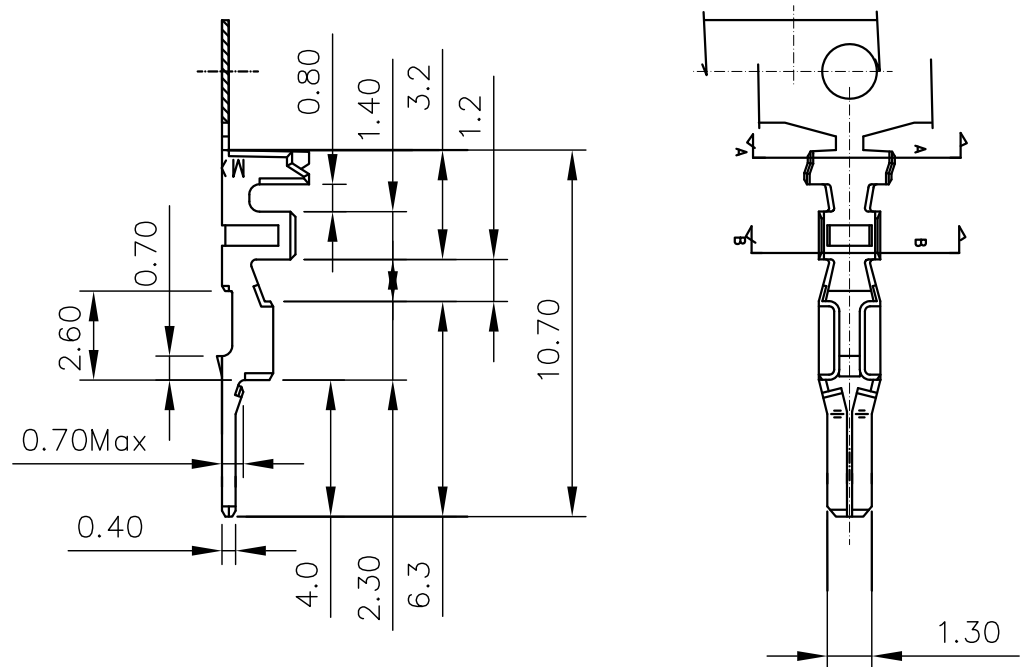
Material: Phosphoric copper
Applicable wire sizes: AWG#20,#22

Rating:

Current Rating: 3.0 Amp
Voltage Rating: 250V AC/DC
Operating Temperature Range: -40°~+105°C

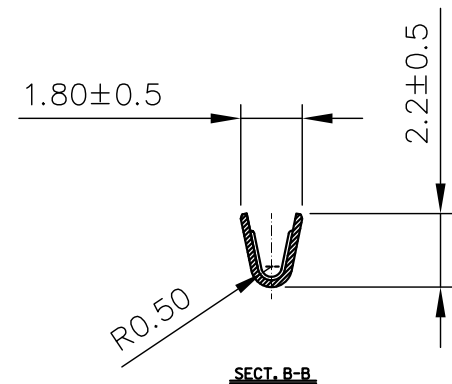
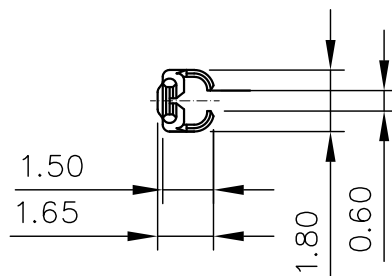
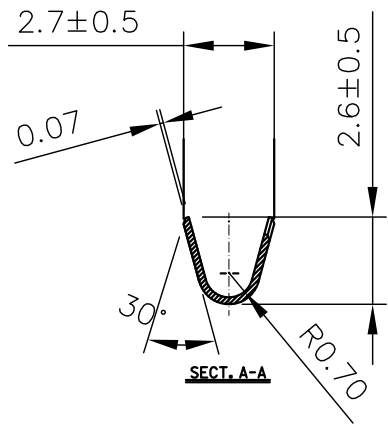
Electrical:

Contact resistance: 10m Ohm Max
Insulator resistance: 500M ohm min.
Withstanding Voltage: 1500V AC/Minute



Ordering Information
H25016T-PX

- 1 2
- 1: — Series No.
 2: — Q: Plated Tin



5X				DR.BY.: Samson	GENERAL TOLERANCE:	PART NO : H25016T-PX	HJBRIGHT 东莞市華晶電子有限公司 BRIGHT-E ELECTRONIC TECHNOLOGY LIMITED
4X					LINEAR	DWG. NO.:	
3X				CHKD.: Tony	10 UNDER ±0.2	TITLE :	SHEET: 1/1 SCALE: 1:1 UNIT: mm
2X					10 OVER 30 UNDER ±0.5	H25016 端子	
1X	ORIGINAL	Samson		APPD.: Billy	30 UNDER ±0.3	DATE: 23-Oct-2013	THIRD ANGLE PROJECTION A4
REV.	DESCRIPTION	DR.BY	ECN. NO.		ANGULAR ±3°		