

Specifications:
 Material And Finish:
 Material : Copper alloy
 Wire Rang: See Orderinformation

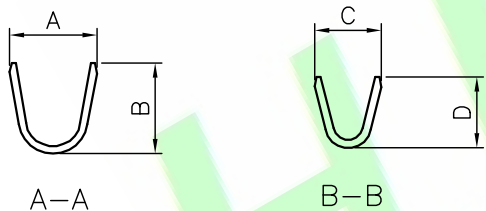
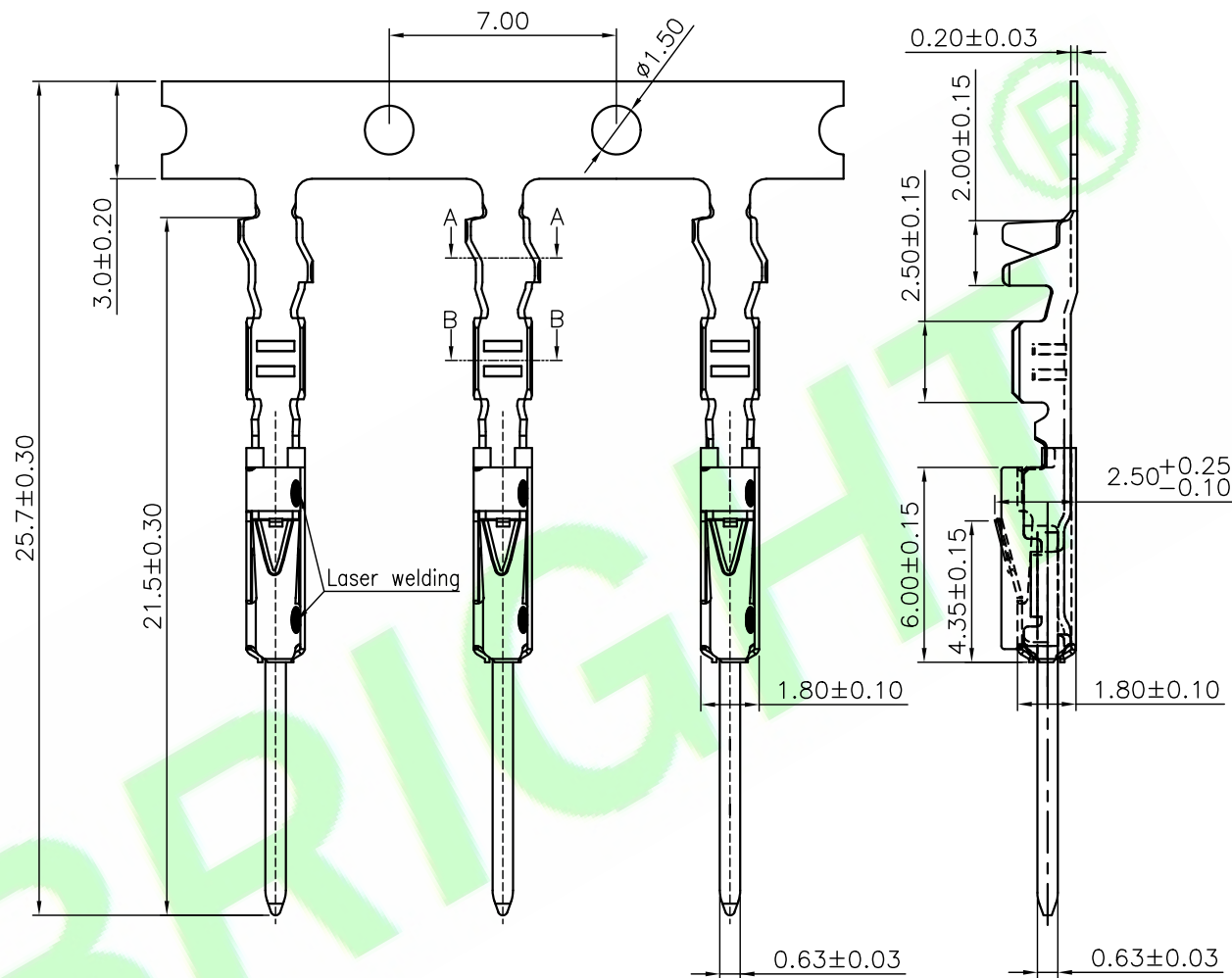
USCAR conform

Ordering Information

H25083TL-PQ-X

1 2 3 4

- 1: — Series No.
- 2: — Terminal
- 3: — Q: Tin Plated
- 4: — A: 0.5-0.75mm² (AWG#20-18)
 B: 0.25-0.35mm² (AWG#23-22)
 C: 0.08-0.2mm² (AWG#28-24)



料号	A	B	C	D
H25083TL-PQ-A	2.7	2.9	2	2.1
H25083TL-PQ-B	2.3	2.3	1.8	1.8
H25083TL-PQ-C	2	2	1.5	1.5

5X				DR.BY.: Sophia	GENERAL TOLERANCE:		PART NO : H25083TL-PQ-X
4X					LINEAR	ANGLES	DWG. NO.:
3X				CHKD.: Ren	X: ±0.30	X':	TITLE :
2X					X.X: ±0.20	X.X':	H25083 Series of terminals
1X	ORIGINAL	Sophia		APPD.: Billy	X.XX: ±0.10	X.XX':	DATE: 20-Aug-2020
REV	DESCRIPTION	DR.BY	ECN. NO.		X.XXX: ±0.10	X.XXX':	

HJBRIGHT 东莞市華晶電子有限公司
 BRIGHT-E ELECTRONIC TECHNOLOGY LIMITED

SHEET: 1/1
 SCALE: 1:1
 UNIT: mm

THIRD ANGLE PROJECTION

A4