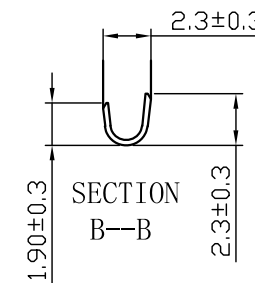
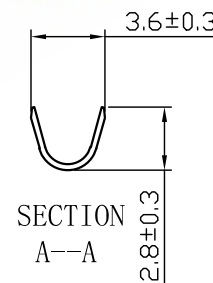
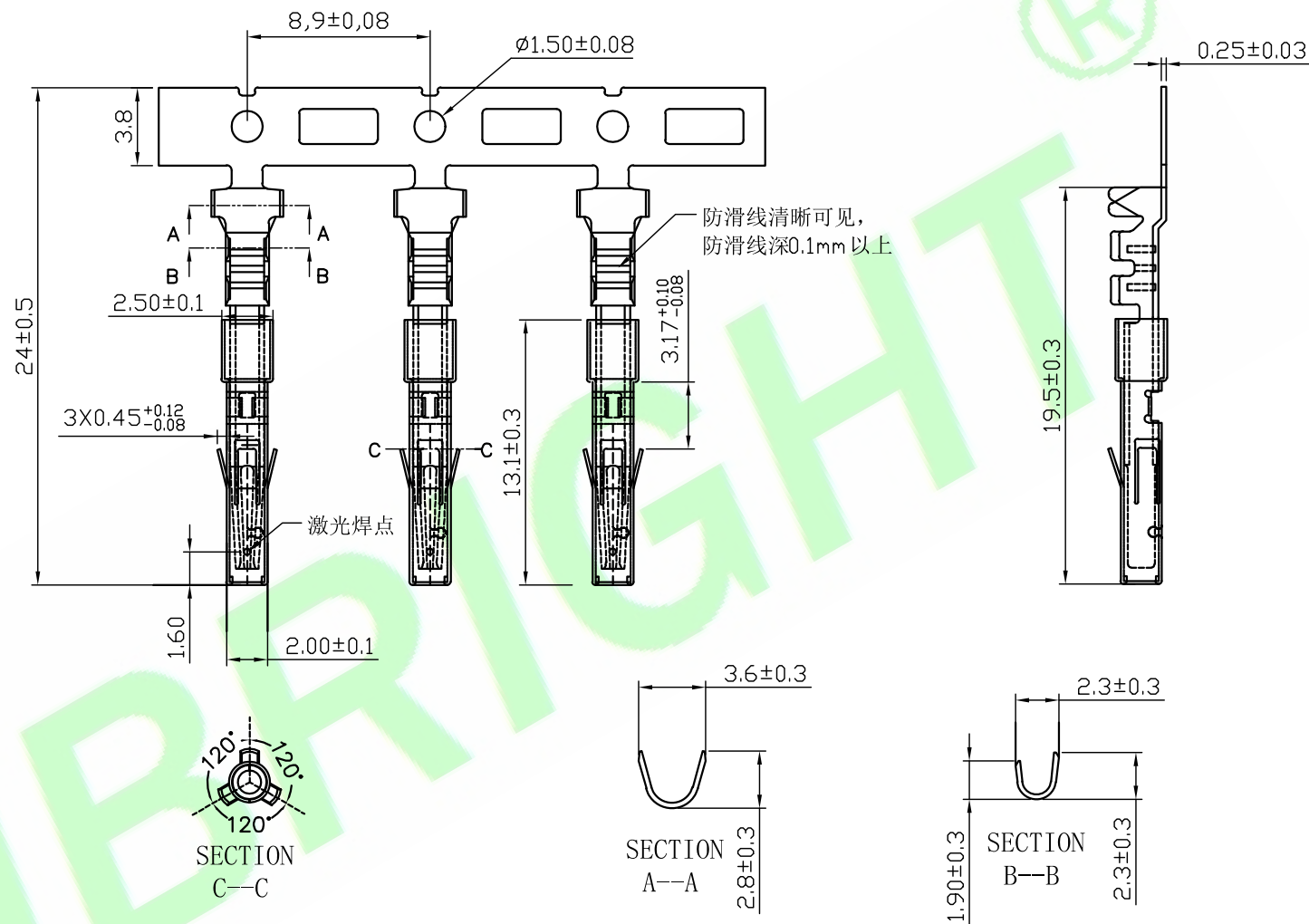


Specifications:
 Material And Finish:
 Contact: Phosphor Bronze
 SUS301
 Wire range: 0.3~0.8mm²

Ordering Information
H300003TF-PQ-01

1 2 3

- 1: — Series No.
- 2: — TF: Female Terminal
- 3: — Q: Tin Plated



DR.BY.: Zolin	GENERAL TOLERANCE:		PART NO : H300003TF-PQ-01	
CHKD.: Sam	LINEAR	ANGLES	DWG. NO.:	
APPD.: Billy	X.: ±0.10	X': ±1.0'	TITLE : 3.0 Pitch Crimp Terminal	
	X.X: ±0.05	X.XX': ±0.5	DATE: 2025-03-07	
	X.XXX: ±0.03	X.XXX':		

HJBRIGHT 东莞市华晶电子有限公司
 BRIGHT-E ELECTRONIC TECHNOLOGY LIMITED

SHEET: 1/1
 SCALE: 1:1
 UNIT: mm

THIRD ANGLE PROJECTION

A4

1X	ORIGINAL	Zolin	
REV	DESCRIPTION	DR.BY	ECN. NO