

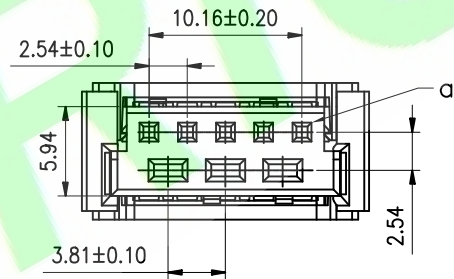
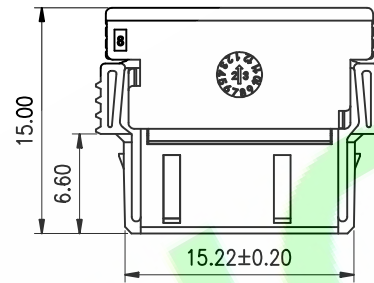
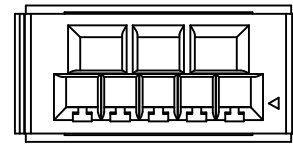
Specifications:
 Material And Finish:
 Insulator:PA46 UL94V-0

Rating:
 Current Rating:5.0 Amp
 Voltage Rating:25V AC/DC
 Operating Temperature Range:-55~+150°C

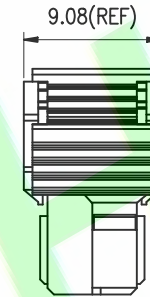
Electrical:
 Contact resistance:20m Ohm Max
 Insulator resistance:1000M ohm min.
 Withstanding Voltage:1000V AC/Minute

Ordering Information
 M25400-08P-05A-X
 1 2 3 4

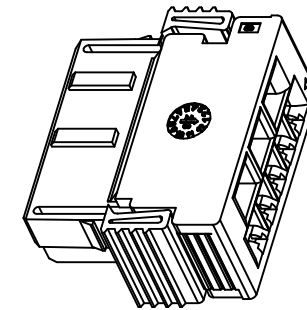
- 1: — Series No.
- 2: — No. of Positions
- 3: — 02:B Type Red
 03:C Type Green
 04:D Type Blue
 05:E Type Black
- 4: — A:In Bag
 B:In Tube



covers loose mounted



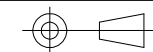
covers pressed on



DR.BY.: Hu.CH	GENERAL TOLERANCE:		PART NO : M25400-08P-05A-X
CHKD.: Sam	LINEAR	ANGLES	DWG. NO.:
	x.: ±0.30	x': ±5.0°	TITLE :
	x.x: ±0.20	x.x': ±3.0°	M2.54 SRC-B Housing 08P
	x.xx: ±0.10	x.xx': ±2.0°	DATE: 18-Feb-2025
APPD.: Billy	x.xxx: ±0.10	x.xxx': ±1.0°	

HJBRIGHT 東莞市華晶電子有限公司
 BRIGHT-E ELECTRONIC TECHNOLOGY LIMITED

SHEET: 1/1
 SCALE: 1:1
 UNIT: mm



THIRD ANGLE PROJECTION

A4

1X	ORIGINAL	Hu.CH	
REV.	DESCRIPTION	DR.BY	ECN. NO.