

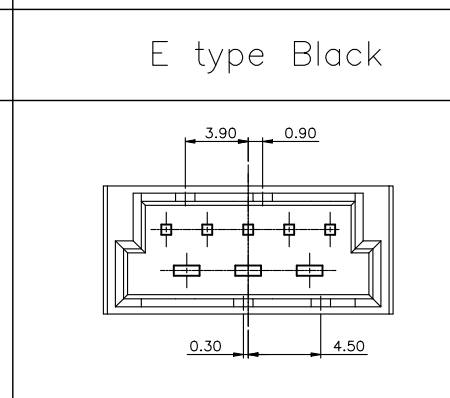
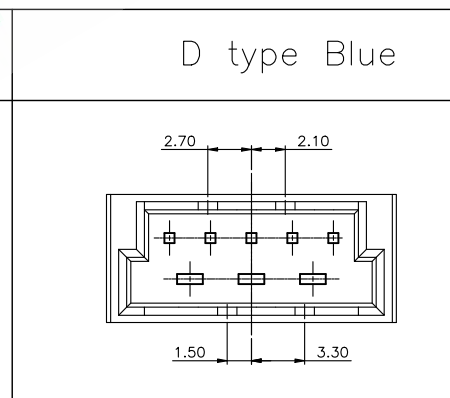
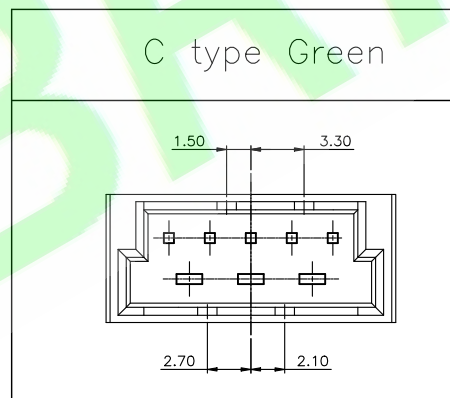
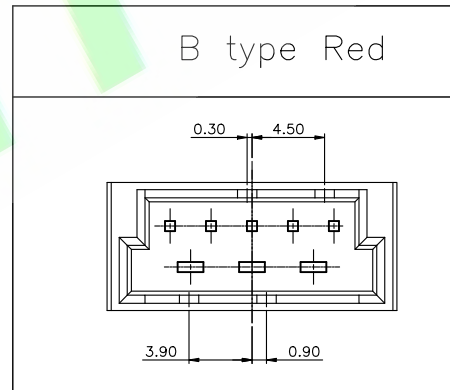
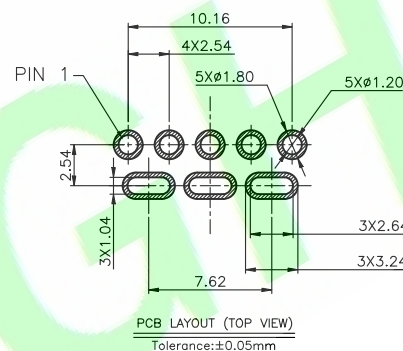
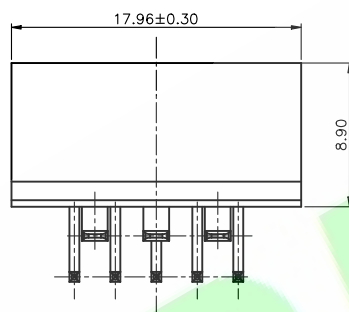
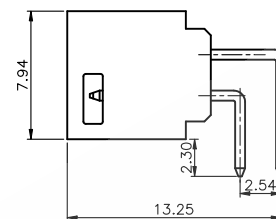
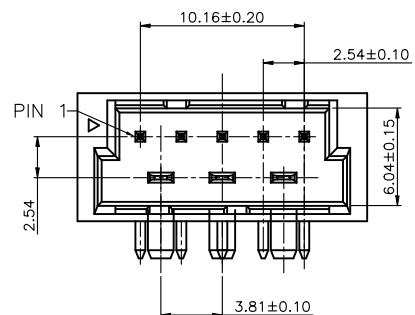
Specifications:
 Material And Finish:
 Insulator:PA46 UL94V-0
 Contact:Copper alloy
 Plated:See Ordering Information

Rating:
 Current Rating:
 Power Pin:15.0 Amp
 Signal Pin:6.0 Amp
 Voltage Rating:25V AC/DC
 Operating Temperature Range:-55~+150°C

Electrical:
 Contact resistance:20m Ohm Max
 Insulator resistance:1000M ohm min.
 Withstanding Voltage:1000V AC/Minute

Ordering Information
M25400R-08S-XXA-B
 1 2 3 4 5 6

- 1: Series No.
- 2: R:R/A Type
- 3: No. of Positions
- 4: S:Matte Tin on tail
H:Gold flash on contact;
Matte Tin on tail
- 5: 02:B Type Red
03:C Type Green
04:D Type Blue
05:E Type Black
- 6: B:In Tube



DR.BY.: Hu.CH	GENERAL TOLERANCE:		PART NO : M25400R-08S-XXA-B	HJBRIGHT ® 東莞市華晶電子有限公司 BRIGHT-E ELECTRONIC TECHNOLOGY LIMITED
CHKD.: Sam	LINEAR	ANGLES	DWG. NO.:	
APPD.: Billy	X.: ±0.30	X': ±5.0°	TITLE : M2.54 R/A Type 08P	SHEET: 1/1
	X.X: ±0.20	X.X': ±3.0°	DATE: 18-Feb-2025	SCALE: 1:1
	X.XXX: ±0.10	X.XXX': ±1.0°		UNIT: mm

2X	Add Fool-proofing	Judyyan	20260417
1X	ORIGINAL	Hu.CH	
	DESCRIPTION	DR.BY	ECN. NO.

