

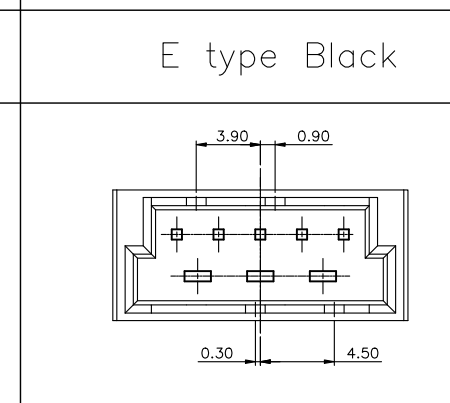
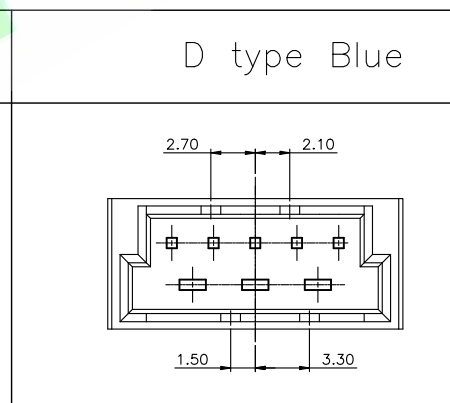
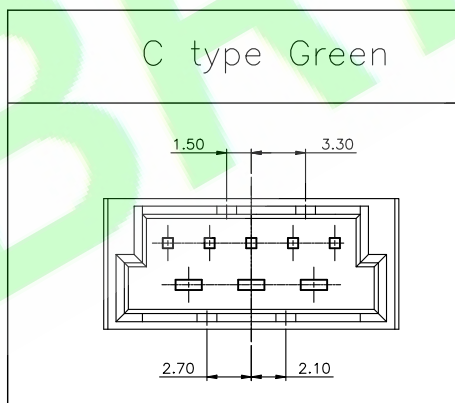
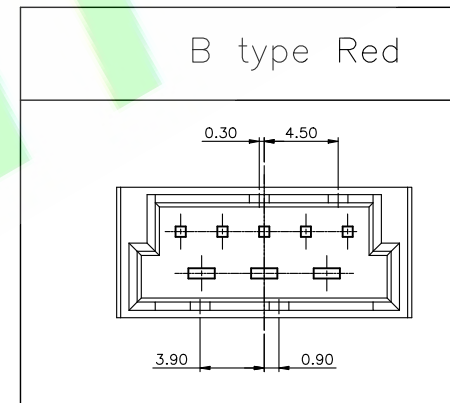
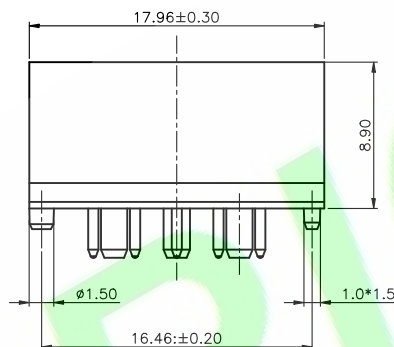
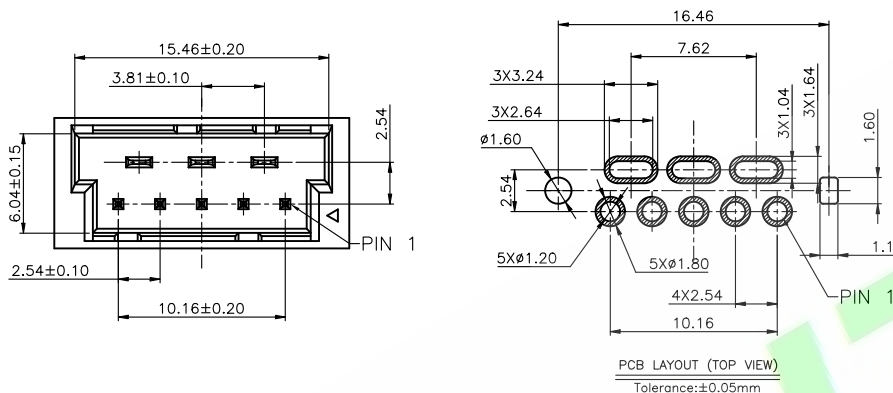
Specifications:  
 Material And Finish:  
 Insulator:PA46 UL94V-0 BLACK  
 Contact:Copper alloy  
 Plated:See Ordering Information

Rating:  
 Current Rating:  
 Power Pin:15.0 Amp  
 Signal Pin:6.0 Amp  
 Voltage Rating:25V AC/DC  
 Operating Temperature Range:-55~+150°C

Electrical:  
 Contact resistance:20m Ohm Max  
 Insulator resistance:1000M ohm min.  
 Withstanding Voltage:1000V AC/Minute

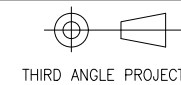
Ordering Information  
 M25400S-08S-XXA-B  
 1 2 3 4 5 6

- 1: — Series No.
- 2: — S: Straight Type
- 3: — No. of Positions
- 4: — S: Matte Tin on tail  
H: Gold flash on contact;  
Matte Tin on tail
- 5: — 02: B Type Red  
03: C Type Green  
04: D Type Blue  
05: E Type Black
- 6: — B: In Tube



DR.BY.: Hu.CH	GENERAL TOLERANCE:		PART NO : M25400S-08S-XXA-B		<b>HJBRIGHT</b> ® 東莞市華晶電子有限公司 BRIGHT-E ELECTRONIC TECHNOLOGY LIMITED
CHKD.: Sam	LINEAR	ANGLES	DWG. NO.:		
APPD.: Billy	X.: ±0.30	X': ±5.0°	TITLE : M2.54 SRC-A SMT Type 08P		SHEET: 1/1
	X.X: ±0.20	X.X': ±3.0°	DATE: 18-Feb-2025		SCALE: 1:1
	X.XXX: ±0.10	X.XXX': ±1.0°			UNIT: mm

3X	Add Fool-proofing	Judyyan	20260417
2X	changed LCP to PA46	Hu.CH	2025.04.19
1X	ORIGINAL	Hu.CH	
REV.	DESCRIPTION	DR.BY	ECN. NO.



A4