

Specifications:
 Material And Finish:
 Contact:Copper alloy

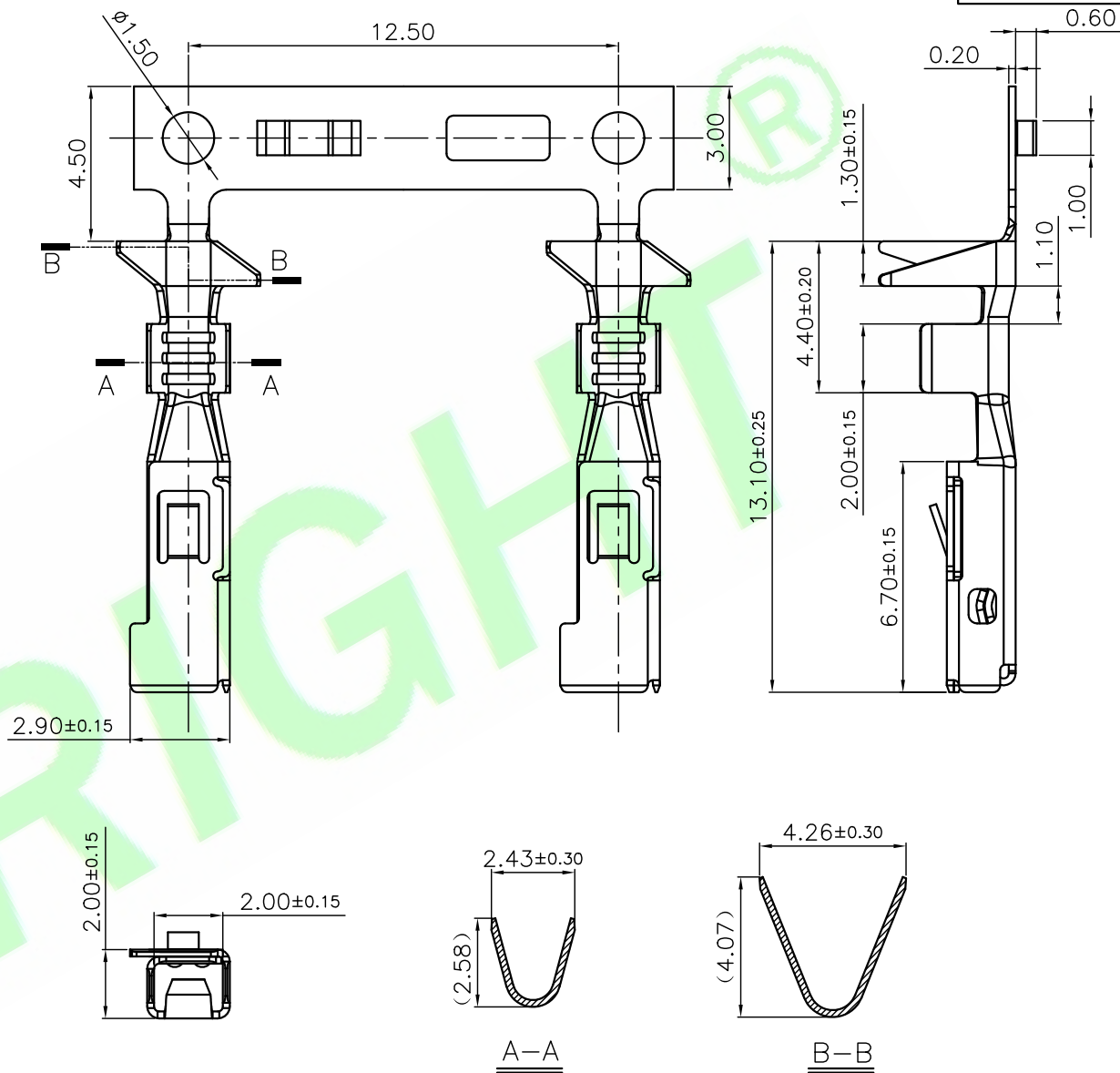
Rating:
 Current Rating:15 Amp
 Operating Temperature Range:-40°~+125°C
 Contact resistance:20m Ohm Max
 Applicable Wire:18~22AWG(0.3~0.85mm²)

Ordering Information

M25400TF-GX-XX

1 2 3 4

- 1: — Series No.
- 2: — TF:Female Terminal
- 3: — Q: Tin Plated
- 4: — 01:18~22AWG



3X	Update the Current Rating	Zolin	20260408
2X	Add foolproof structure	Hu.CH	2025.04.21
1X	ORIGINAL	Hu.CH	
REV.	DESCRIPTION	DR.BY	ECN. NO

DR.BY: Hu.CH	GENERAL TOLERANCE:		PART NO : M25400TF-GQ-01
CHKD.: Hu.CH	LINEAR	ANGLES	DWG. NO.:
	X.: ±0.30	X': ±1.0'	TITLE : M2540 POWER Terminal
	X.X: ±0.20	X.X': ±0.5	DATE: 03-Mar-2025
	X.XX: ±0.10	X.XX':	
APPD.: Billy			

HJBRIGHT 东莞市華晶電子有限公司
 BRIGHT-E ELECTRONIC TECHNOLOGY LIMITED

SHEET: 1/1
 SCALE: 1:1
 UNIT: mm

THIRD ANGLE PROJECTION

A4